



Nano



Standard Color: Dark Gray (PANTONE:8403C)

Features:

- Integrated die-casting high-end design
 - Housing Material: Die-casting aluminum alloy+ PC;
- Fully functional compatibility/strong protection
 - Rated Power Range: 15W-300W;
 - Rated Input Voltage: AC100-277V;
 - Protection Degree: IP66, IK08;
 - Pole Diameter: $\Phi 60\text{mm}$;
 - Operating environment: Operating Temperature - $40^{\circ}\text{C} \sim 45^{\circ}\text{C}$, Operating Humidity $10\% \sim 90\% \text{RH}$, Storage Temperature $-40^{\circ}\text{C} \sim 55^{\circ}\text{C}$.
- Intelligent control system compatibility
 - NEMA interface and ZHAGA interface are optional;
 - Control mode: Power line communication (NEMA), NB-IoT(NEMA), ZigBee (NEMA), LoRa (NEMA), power timer dimming, NEMA light switch;

Street Light Specification

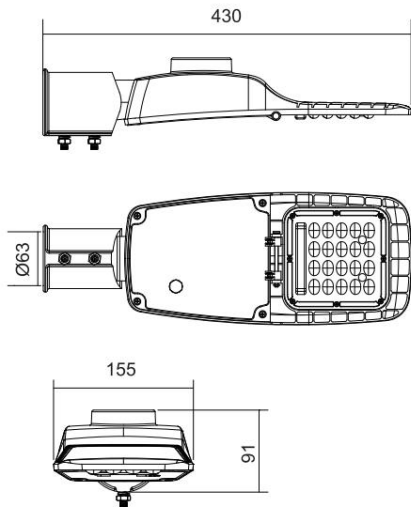


Product Model	UNI-STA7-0	UNI-STA7-1	UNI-STA7-4	UNI-STA7-3	UNI-STA7-5
Power (W)	15-40	50-60	70-100	120-150	180-300
Luminous Flux (lm)	1950-5200/ 2250-6000	6500-7800/ 7500-9000	9100-13000/ 10500-15000	15600-19500/ 18000-22500	23400-39000/ 27000-45000
Power Factor	≥0.92	≥0.92	≥0.95	≥0.95	≥0.95
Input Voltage	AC100-277V 50/60Hz				
LED	Osram/ Lumileds				
Driver	Inventronics/Philips/Moso/Sosen				
CCT (K)	3000K/4000K/5000K/5700K/6500K				
Luminaire Efficiency@4000K, Ta=25°C (lm/W)	Option:130,150lm/W				
CRI	70				
Working Temp.	- 40 °C ~ 45 °C				
Working Humidity	10 % ~ 90 % RH				
Storage Temp.	- 40 °C ~ 55 °C				
Housing Materials	Die-casting Aluminum Alloy				
IP Grade	IP66				
IK Grade	IK08				
Life Span (Hrs)	50,000				
Max Projected Area (m ²)	0.08	0.08	0.145	0.18	0.18
Product Dimension (mm)	430×155×91	490×176×86	605×240×89	715×270×94	800×318×91
Packing Dimension (mm)	485×385×305	550×225×170	660×305×180	770×305×180	865×375×180
Net Weight (kg)	2.0±0.2	2.0±0.2	3.7±0.2	6.5±0.2	6.8±0.2
Gross Weight (kg)	3.0±0.2	3.0±0.2	4.7±0.2	7.6±0.2	9.0±0.2

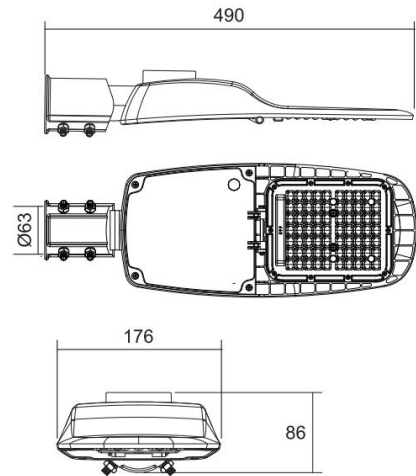
Note: The tolerance of Luminous Flux for lighting products is ±7%

Product Dimension:

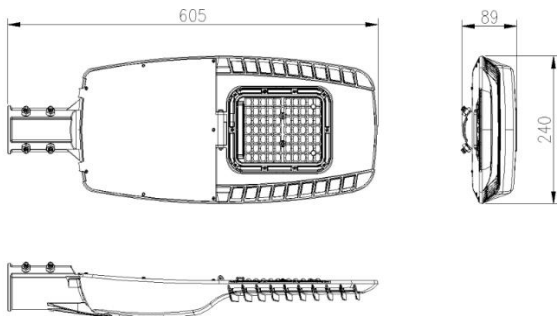
UNI-STA7-0
430×155×91mm



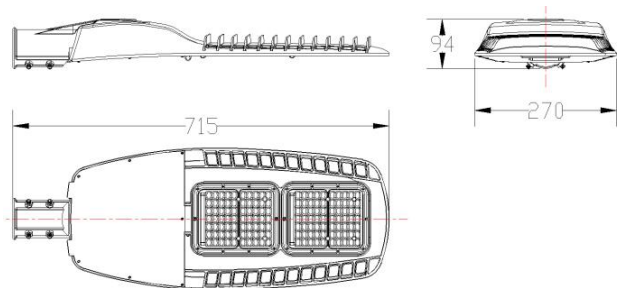
UNI-STA7-1
490×176×86mm



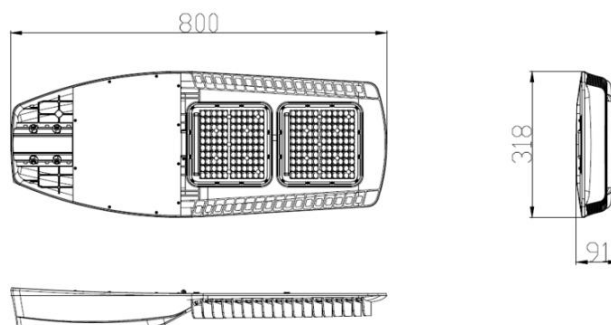
UNI-STA7-4
605×240×89mm



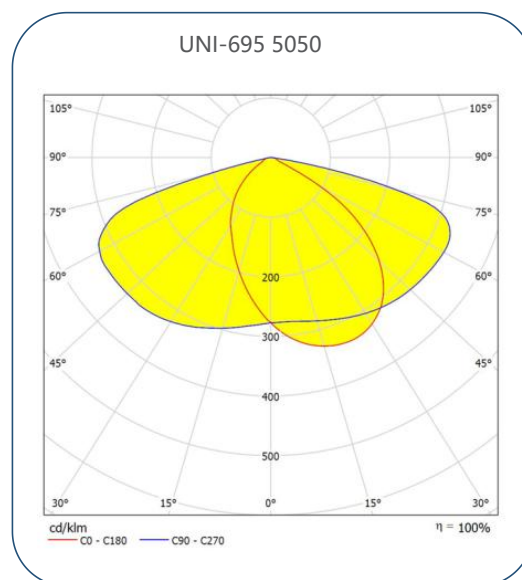
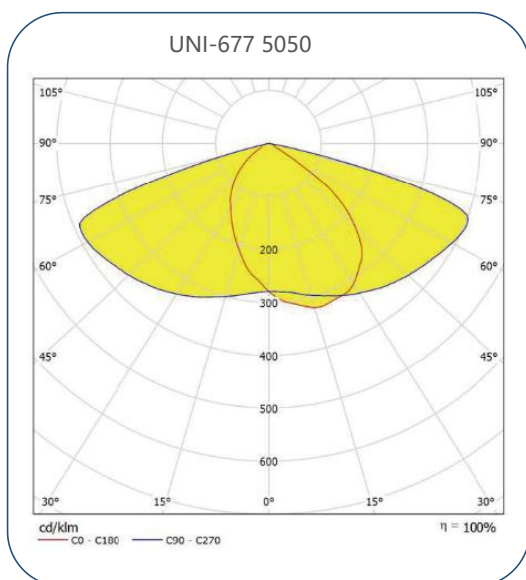
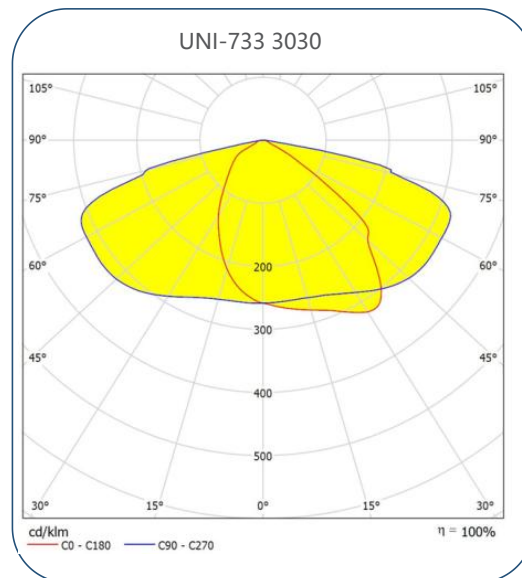
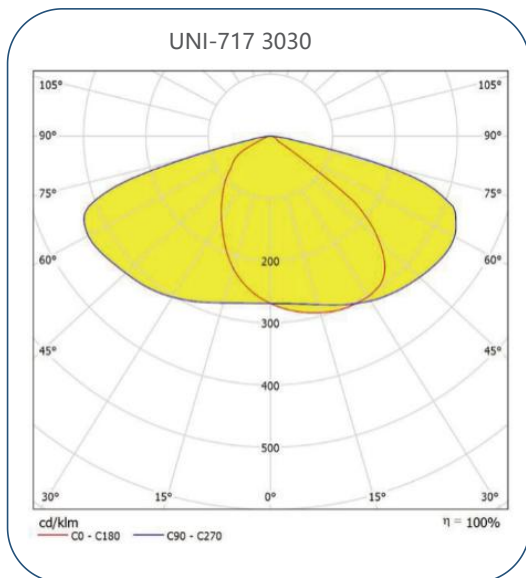
UNI-STA7-3
715×270×94mm



UNI- STA7-5
800×318×91mm



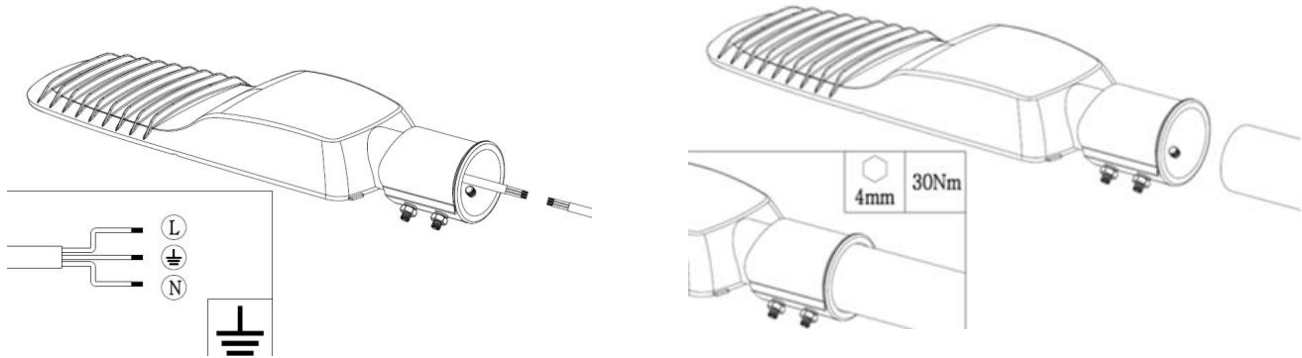
Light Distributions:



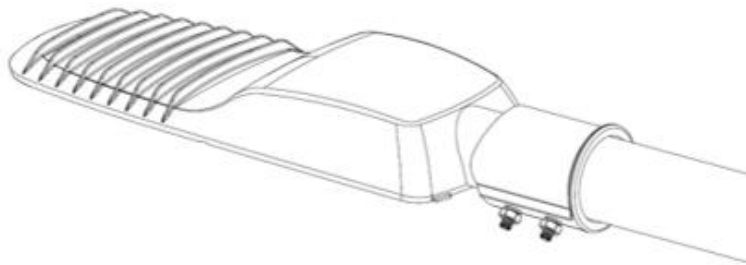
Note: The pictures are only the references of typical light distribution type, and the specific parameters shall be subject to the actual IES of the product.

Installation Diagram:

1. Wire the power cables of the luminaire and the pole according to the picture below: L(BRN/BLK) live line, N (BLU/WHT) neutral line, \oplus (YG/GRN) ground line), making the connection waterproof.
2. Insert the cantilevered arm of lamp pole into the lamp, and then tighten four M8 screws.



3. Installation finished.



Maintenance:

- Keep the luminaire in clean and good maintenance to ensure long lifespan and safety use.
- Wipe the luminaire with soft cloth dipped with soapy water (squeeze the water out first), and then make it clean and dry with a new cloth;
- Do not use volatile chemical liquids such as gasoline, alcohol or insecticides to clean the luminaire, otherwise damage occurs.

Cautions:

- Make sure safe and complete installation before power on;
- Do not mount the luminaire onto ordinary combustible materials directly in any circumstances;



- Do not cover the luminaire with any objects;
- Do not use the product in a closed environment;
- The maintenance of the luminaire must be done by professionals;
- The external wiring of the luminaire is Y-shaped. If damaged, shall be replaced with wires provided by the original manufacturer or its service team;
- The light source, if damaged, shall be replaced with chips provided by the manufacturer or service team.

Warning, danger of electric shock



- Statement: The luminaire complies with the non-hazardous requirements in the photobiological safety standard IEC 62471:2006;
- Product specifications are subject to change without notice.

HQ Address: 112 Yongfu Rd., Qiaotou Village, Fuyong Town, Baoan District, Shenzhen 518103 China.
Manufacturing Base: Unilumin Industrial Park, 6th Lanjing North Road, Pingshan District, Shenzhen, China.

TEL: +86-0755-29918999

FAX: +86-0755-29912092

www.unilumin.com

www.unilumin-lighting.com