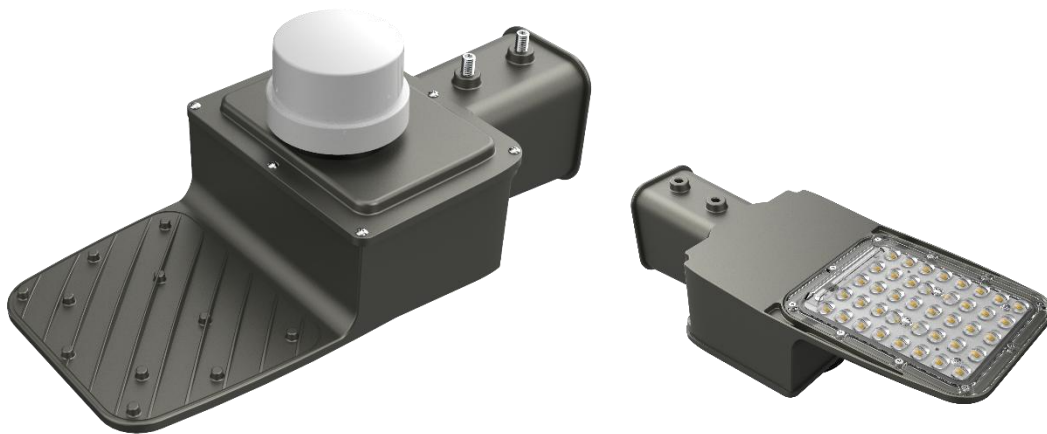




NanoLite



Standard Color: Dark Gray (PANTONE:8403C)

Features:

- Integrated die-casting high-end design
 - Housing Material: Die-casting aluminum + PC
- Fully functional compatibility/strong protection
 - Rated Power Range: 20W-200W;
 - Rated Input Voltage: AC100-277V 50/60Hz;
 - Protection Degree: IP66, IK08;
 - NEMA interface available;
 - Pole Diameter: $\Phi 60\text{mm}$;
 - Operating environment: Operating Temperature - $40^{\circ}\text{C} \sim 45^{\circ}\text{C}$, Operating Humidity 10% \sim 90 %RH, Storage Temperature $-40^{\circ}\text{C} \sim 65^{\circ}\text{C}$.
- Intelligent control system compatibility
 - NEMA interface are optional;
 - Control mode: Power line communication (NEMA), NB-IoT(NEMA), ZigBee (NEMA), LoRa (NEMA), power timer dimming, NEMA light switch;

Street Light Specification

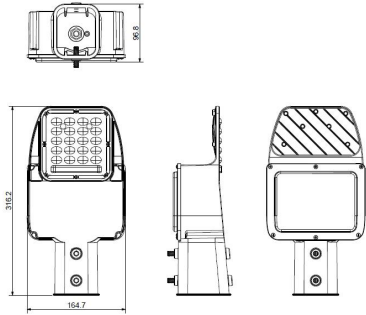
Unilumin

Product Parameters:

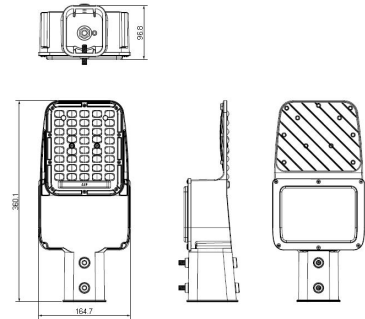
Product Model	UNI-STC5-1	UNI-STC5-2	UNI-STC5-3	UNI-STC5-4	UNI-STC5-5
Power (W)	20-30	40-60	80	90-120	150-200
Power Factor	0.90			0.90/0.95	0.95
Input Voltage	AC100-277V 50/60Hz				
LED	Osram				
Driver	Inventronics/Philips/Moso/Sosen				
CCT (K)	3000K/4000K/5000K/5700K				
Luminaire Efficiency@4000K, Ta=25°C (lm)	130-160lm/W				
CRI	70				
Working Temp.	- 40 °C ~ 50 °C				
Working Humidity	10 % ~ 90 % RH				
Storage Temp.	- 40 °C ~ 65 °C				
Housing Materials	Die-casting aluminum +PC				
IP Grade	IP66				
IK Grade	IK08				
Max Projected Area (m ²)	0.05	0.10	0.12	0.14	0.16
Product Dimension (mm)	317×165×97	361×165×97	361×185×97	429×214×99	515×232×98
Packing Dimension (mm)	460×385×315	460×430×315	430×255×315	500×285×320	585×300×320
Net Weight (kg)	1.8±0.2	2.0±0.2	2.3±0.2	2.8±0.2	3.7±0.2
Gross Weight (kg)	8.5±0.2 /4PCS	9.4±0.2/4PCS	5.3±0.2/2PCS	6.5±0.2/2PCS	8.5±0.2/2PCS

Product Dimension:

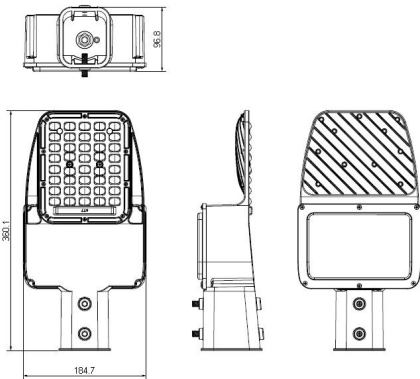
UNI-STC5-1



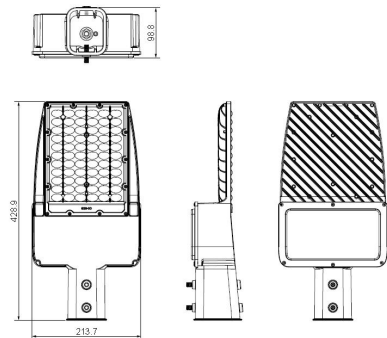
UNI-STC5-2



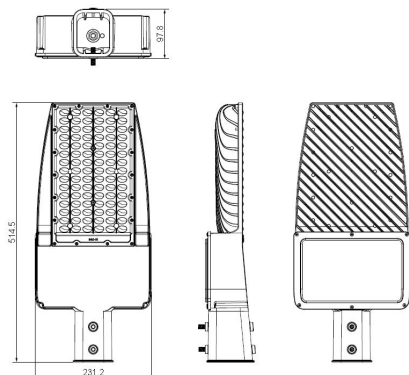
UNI-STC5-3



UNI-STC5-4

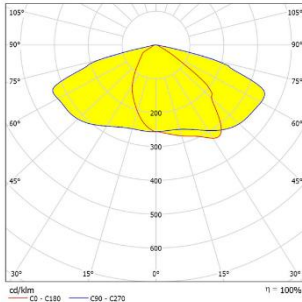


UNI-STC5-5

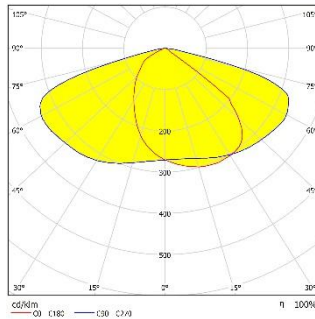


Light Distributions:

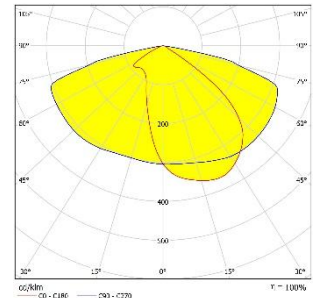
UNI-732 3030



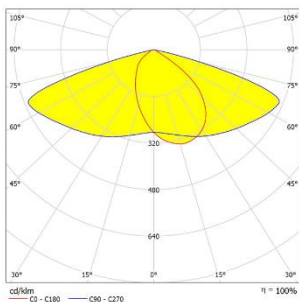
UNI-717 3030



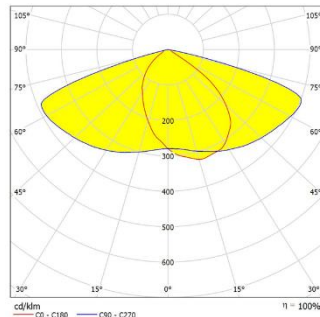
UNI-839 3030



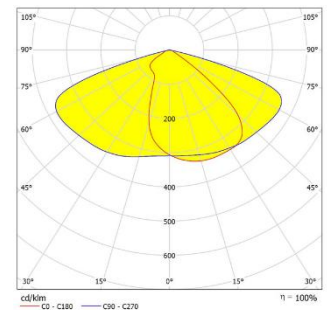
UNI-700 5050



UNI-677 5050



UNI-840 5050



Note: The pictures are only the references of typical light distribution type, and the specific parameters shall be subject to the actual IES of the product.

Maintenance:

- Keep the luminaire in clean and good maintenance to ensure long lifespan and safety use.
- Wipe the luminaire with soft cloth dipped with soapy water (squeeze the water out first), and then make it clean and dry with a new cloth;
- Do not use volatile chemical liquids such as gasoline, alcohol or insecticides to clean the luminaire, otherwise damage occurs.

Cautions:

- Make sure safe and complete installation before power on;
- Do not mount the luminaire onto ordinary combustible materials directly in any circumstances;



- Do not cover the luminaire with any objects;
- Do not use the product in a closed environment;
- The maintenance of the luminaire must be done by professionals;
- The external wiring of the luminaire is X-shaped. If damaged, shall be replaced with wires provided by the original manufacturer or its service team;
- The light source, if damaged, shall be replaced with chips provided by the manufacturer or service team.

Warning, danger of electric shock



- Statement: The luminaire complies with the non-hazardous requirements in the photobiological safety standard IEC 62471:2006;
- Product specifications are subject to change without notice.

HQ Address: 112 Yongfu Rd., Qiaotou Village, Fuyong Town, Baoan District, Shenzhen 518103 China.
Manufacturing Base: Unilumin Industrial Park, 6th Lanjing North Road, Pingshan District, Shenzhen, China.

TEL: +86-0755-29918999

FAX: +86-0755-29912092

www.unilumin.com

www.unilumin-lighting.com