



## Tuna



Standard Color: Dark Gray (PANTONE:8403C)

### Features:

- Integrated die-casting high-end design
  - Housing Material: Die-casting aluminum alloy + Ultra transparent tempered glass;
  - Cover opening: Standard and Tool-free range are optional;
- Fully functional compatibility/strong protection
  - Rated Power Range: 40W-200W; - Equipped with bubble level to ensure quick installation;
  - Rated Input Voltage: AC100-277V; - Pole Diameter:  $\Phi 60$ ( $\Phi 76$ mm; below 80W,  $\Phi 42$ mm is optional );
  - Operating environment: Operating Temperature -  $40^{\circ}\text{C} \sim 45^{\circ}\text{C}$ , Operating Humidity 10%  $\sim$  90 %RH, Storage Temperature -  $40^{\circ}\text{C} \sim 55^{\circ}\text{C}$ .
  - Protection Degree: IP66, IK08;
  - Angle Adjuster:  $15^{\circ}$  to  $-20^{\circ}$  angle adjustment for horizontal and vertical installation ( $5^{\circ}$  minimum angle adjustment);
- Intelligent control system compatibility
  - NEMA interface and ZHAGA interface are optional;
  - Control mode: Power line communication (NEMA), NB-IoT(NEMA), ZigBee (NEMA), power timer dimming, NEMA light switch;

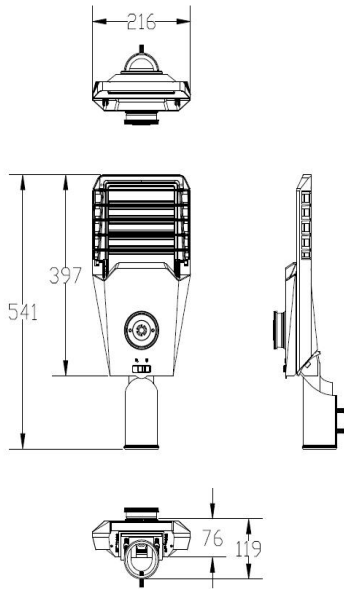
# Street Light Specification

Product Model	UNI-STB9-1	UNI-STB9-2	UNI-STB9-3	UNI-STB9-4	UNI-STB9-5
Power (W)	40	75	120	150	200
Luminous Flux (lm)	5200/6000	9750/11250	15600/18000	18750/22500	26000/30000
Power Factor	≥0.92	≥0.95	≥0.95	≥0.95	≥0.95
Input Voltage	AC100-277V 50/60Hz				
LED	Osram/ Lumileds				
Driver	Inventronics/Philips/Moso/Sosen				
CCT (K)	3000K/4000K/5000K/5700K/6500K				
Luminaire Efficiency@4000K, Ta=25°C (lm/W)	Option:130,150lm/W				
CRI	70				
Working Temp.	- 40 °C ~ 45 °C				
Working Humidity	10 % ~ 90 % RH				
Storage Temp.	- 40 °C ~ 55 °C				
Housing Materials	Die-casting aluminum				
IP Grade	IP66				
IK Grade	IK08				
Life Span (Hrs)	50,000				
Max Projected Area (m <sup>2</sup> )	0.09	0.11	0.13	0.15	0.18
Product Dimension (mm)	516×216×119	610×237×119	637×269×124	706×279×123	721×317×127
Packing Dimension (mm)	540×315×205	540×345×205	565×345×215	645×360×215	675×415×215
Net Weight (kg)	3.5	4	6	6.5	7.5
Gross Weight (kg)	4.5	5	7.5	8	9.5

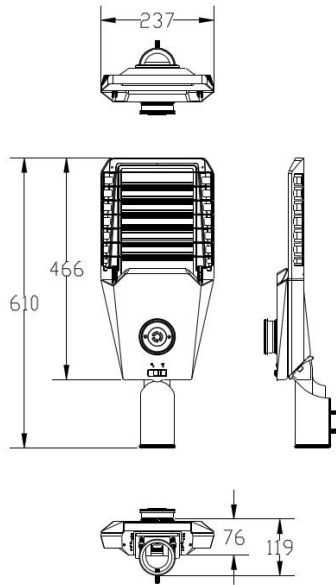
Note: The tolerance of Luminous Flux for lighting products is ±7%

## Product Dimension:

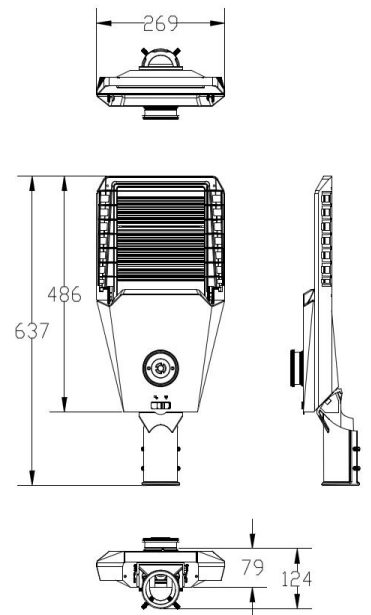
### UNI-STB9-1



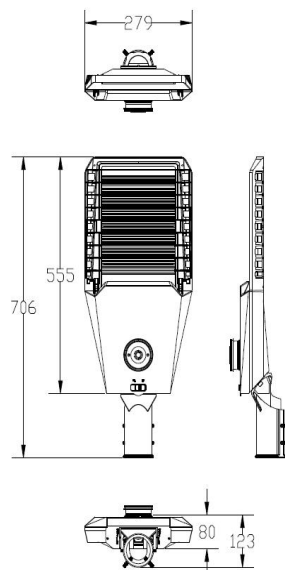
### UNI-STB9-2



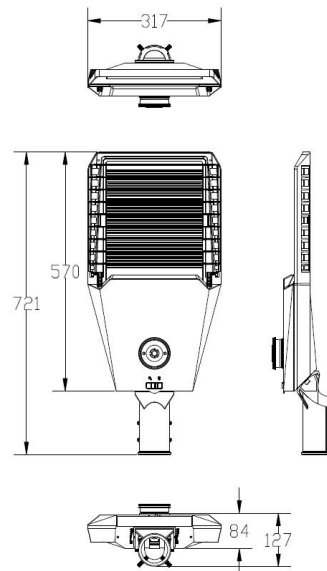
### UNI-STB9-3



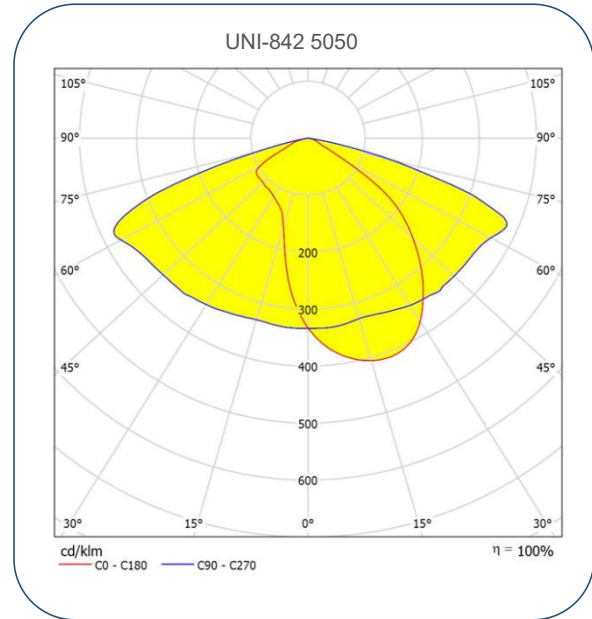
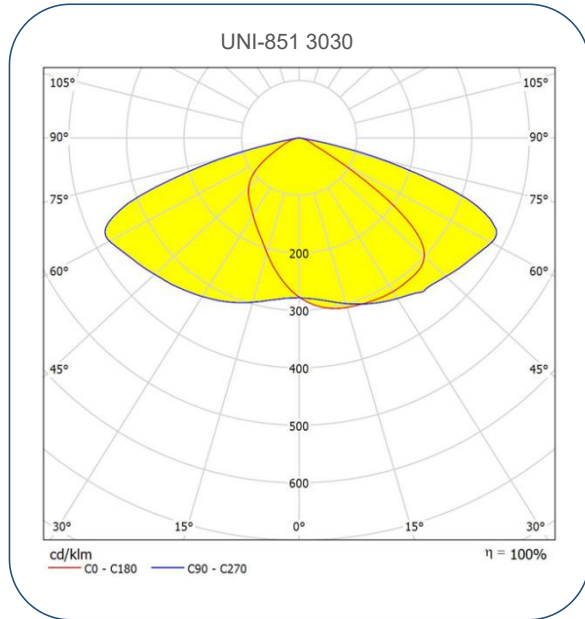
### UNI-STB9-4



### UNI-STB9-5



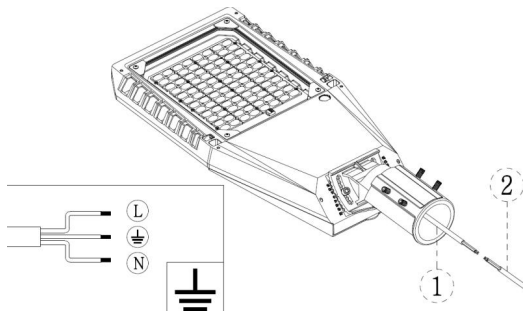
## Light Distributions:



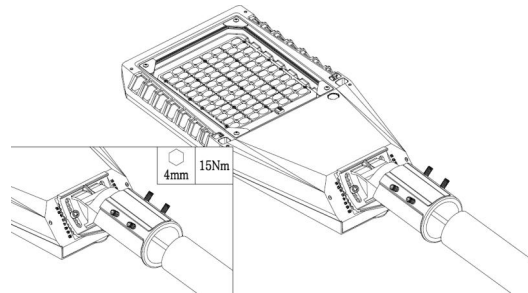
Note: The pictures are only the references of typical light distribution type, and the specific parameters shall be subject to the actual IES of the product.

## Installation Diagram:

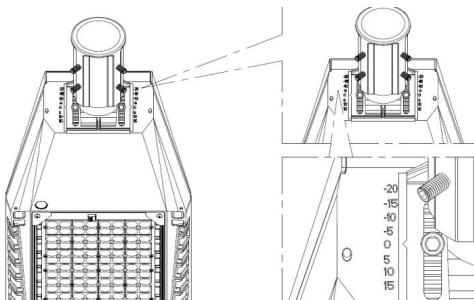
1. Wire the power cables of the luminaire and the pole according to the picture below: L(BRN/BLK) live line, N (BLU/WHT) neutral line, (⊕) (YG/GRN) ground line), making the connection waterproof.



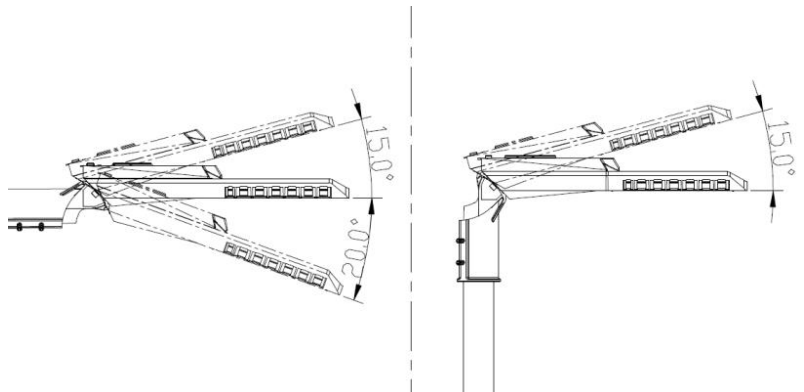
2. Mount the luminaire onto the light pole with M8 screws.



3. Loosen the screws to adjust the spigot and luminaire angle if necessary.



4. Horizontal and vertical installation are optional and the minimum angle adjustment is 5°



## Maintenance:

- Keep the luminaire in clean and good maintenance to ensure long lifespan and safety use.
- Wipe the luminaire with soft cloth dipped with soapy water (squeeze the water out first), and then make it clean and dry with a new cloth;
- Do not use volatile chemical liquids such as gasoline, alcohol or insecticides to clean the luminaire, otherwise damage occurs.

## Cautions:

- Make sure safe and complete installation before power on;
- Do not mount the luminaire onto ordinary combustible materials directly in any circumstances;



- Do not cover the luminaire with any objects;
- Do not use the product in a closed environment;
- The maintenance of the luminaire must be done by professionals;
- The external wiring of the luminaire is X-shaped. If damaged, shall be replaced with wires provided by the original manufacturer or its service team;
- The light source, if damaged, shall be replaced with chips provided by the manufacturer or service team.

**Warning, danger of electric shock**



- Statement: The luminaire complies with the non-hazardous requirements in the photobiological safety standard IEC 62471:2006;
- Product specifications are subject to change without notice.