

Hera II Series



● Features

Rated Power: 1000W, 1200W, 1500W @AC100-240V

Supporting HDTV broadcasting standard

- CRI > 80, satisfy all kinds of sports lighting level
- Integrated aluminum radiator, efficient heat dissipation
- 4mm thickness AG anti-glare tempered glass
- Anti-glare device in pure aluminum molding

Light angle adjustment range: horizontal 0° ~ 180° and vertical 0° ~ 160°

High Reliability

- Life time 100,000 hours
- WF2, Surface powder coating treatment, corrosion-resistant, acid and alkali resistant
- Housing Material: 6063-T5 Aluminum Alloy
- Protection Degree: IP67 IK08

Application

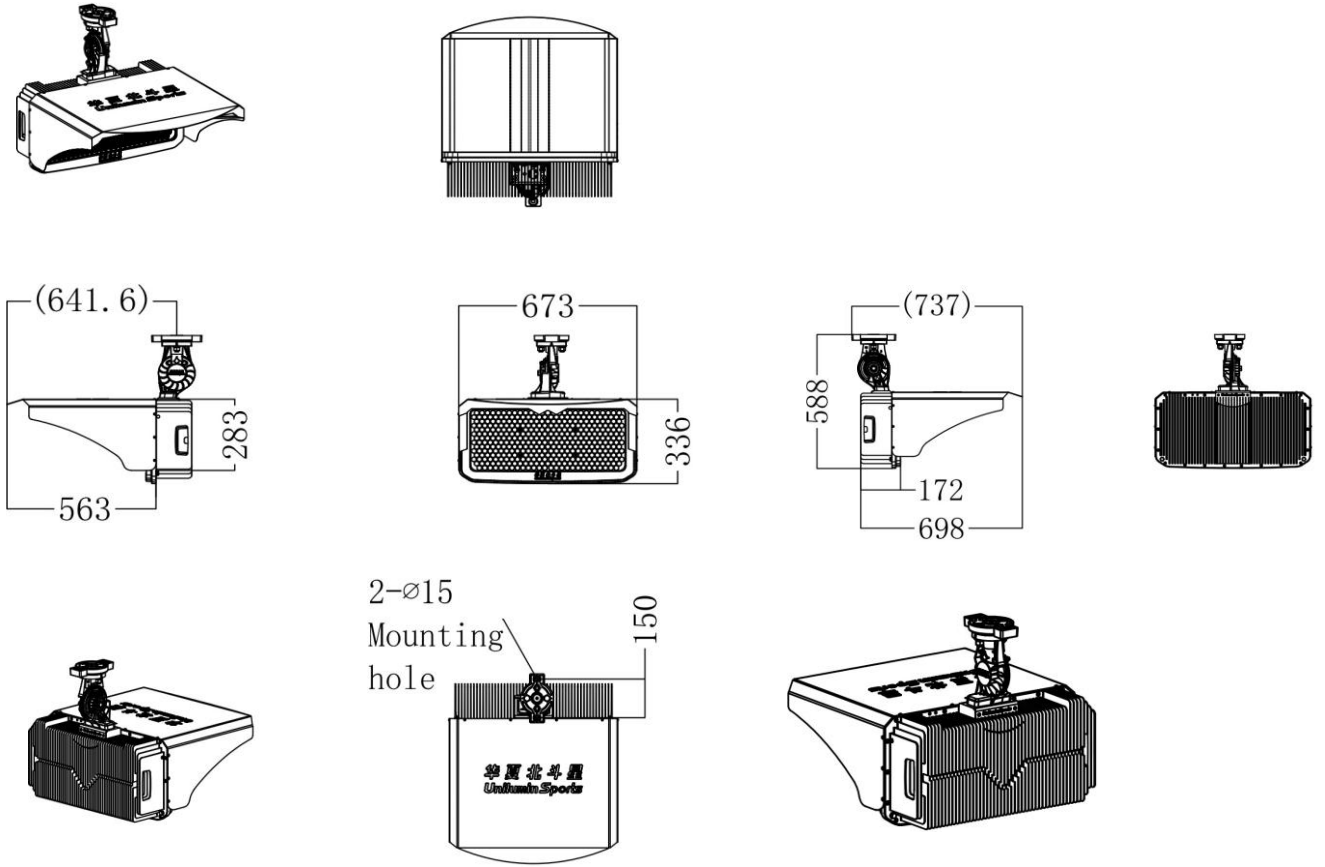
- Indoor arenas (Comprehensive Venue, Natatorium, Basketball court, Ice hockey arena ,etc)
- Outdoor arenas (Stadium, Football pitch, Tennis Court, Golf course, Hockey field, etc)
- Multi-Use Games Area (MUGA)
- Operating environment: Operating Temperature - 30°C ~ + 50°C, Operating Humidity 10% ~ 95%RH

● Specification

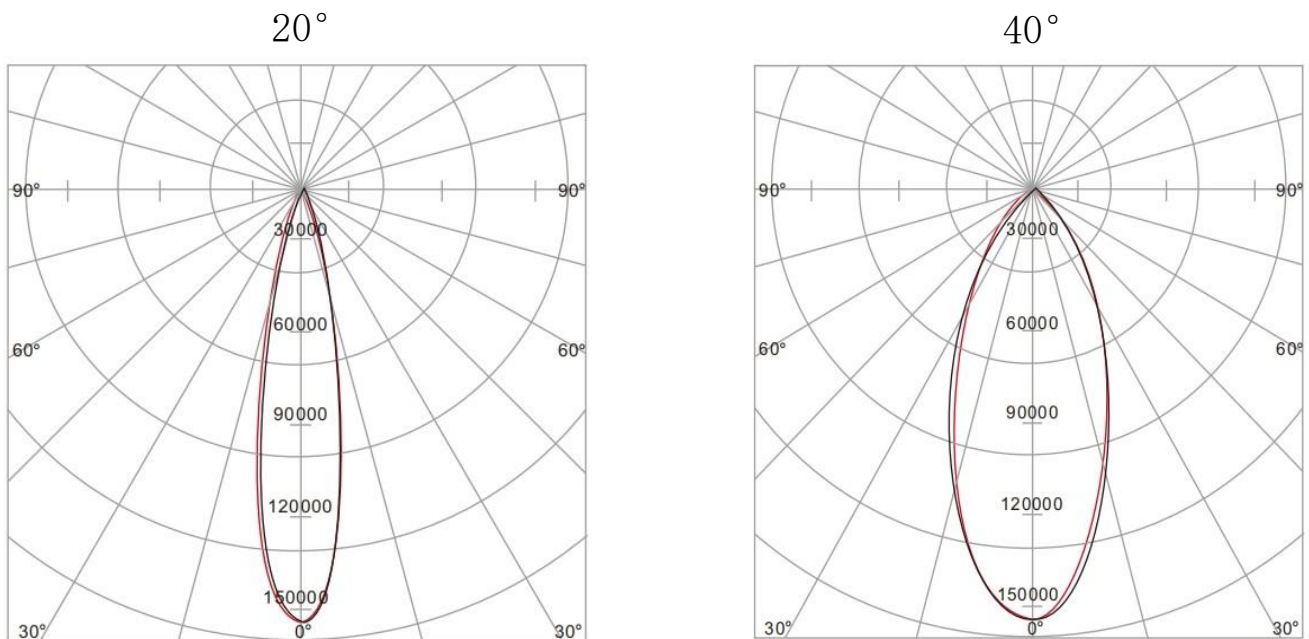
Product Model	LK-1000U	LK-1200U	LK-1500U
Power (W)	1000	1200	1500
Luminous Flux (lm)	130000	156000	195000
Efficacy (lm/W)	≥130 lm/W		
Power Factor	≥0.97		
Input Voltage	AC100-240V 50/60Hz		
CCT(K)	5700K±200K (Customizable)		
CRI	Ra = 80 with R9 >0		
Working Temp.	-30°C~+50°C		
Working Humidity	10% ~ 95% RH		
Housing Materials	6063-T5 Aluminum Alloy		
Angle adjustment	Horizontal 0° ~ 180° and vertical 0° ~ 160°		
IP/IK Grade	IP67 /IK08		
Corrosion Resistance Capability	WF2		
Dimming	DALI / DMX / 0-10V(Optional)		
Life Time (Hours)	100,000		
Warranty (years)	5		
Product Weight	28±1KG		
Product Dimension (mm)	673 *737 *588mm (With Light-Cover and Universal Joint)		

Note: The tolerance of Luminous Flux for lighting products is ±7%

● Product Dimension

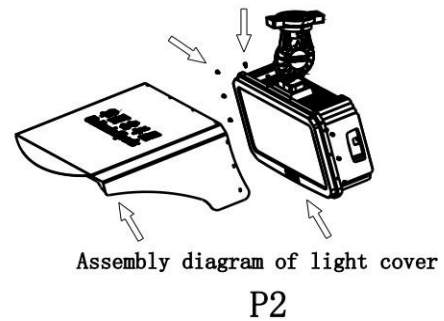
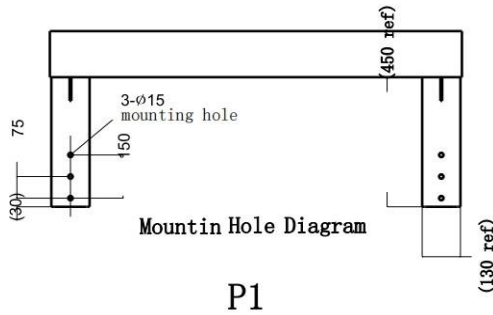


● Light Distributions

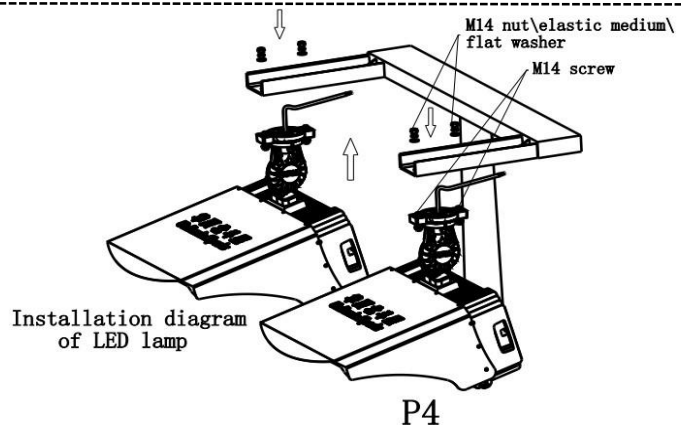
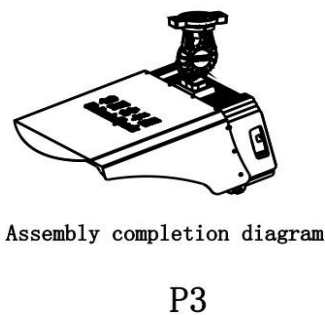


Note: The pictures are only the references of typical light distribution type, and the specific parameters shall be subject to the actual IES of the product.

● Quick Installation Guide

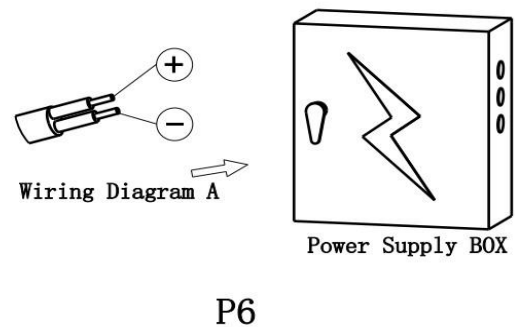
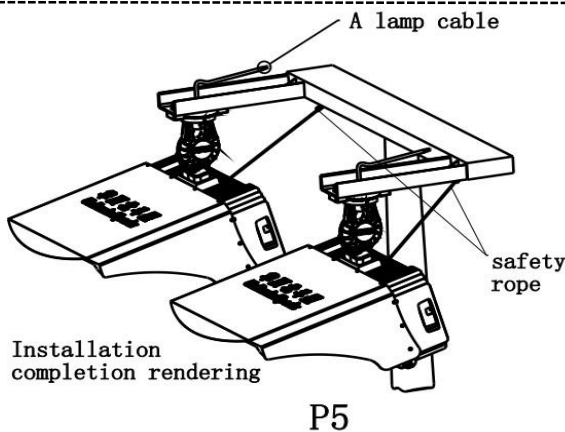


1. Prepare steel frame with mounting holes, lamp pole, bracket installation hole size, spacing size, refer to the Mounting Hole Diagram, see P1 for details;

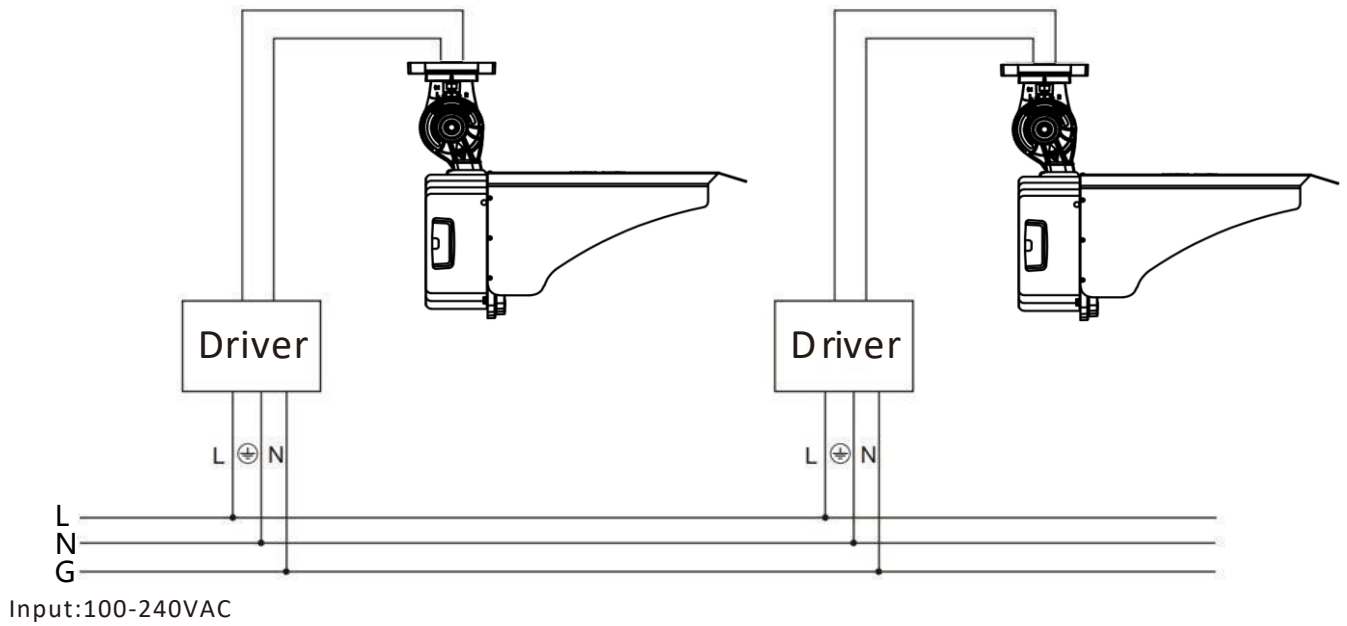


2. Assembly of light cover: Assemble the lamp and light cover according to the diagram. Use tools to tighten 10sets of M4 screws and lock the light cover onto the lamp, and tighten it firmly, the light cover assembly is completed, as shown in P2 and P3; If the lamp is already equipped with a light cover, this step is omitted;

3. LED lamp installation: Install the pre-set angle lamps onto the steel frame of the lamp pole. Install 2 sets of M14 screws into the steel frame holes, and then install washers, springs, and nuts. Use tools to firmly lock them, ensuring that it does not loosen over time. Then the installation of the LED lamp is completed, as shown in P4 and P5;



4. Lamp wiring: Connect the power cord of the lamp to the power output line in the cable and electrical box in a "corresponding" manner. The brown positive pole (+), blue negative pole (-), and yellow green ground wire (if there is no ground wire, the ground wire connection is omitted) should be well connected for waterproofing and leakage protection. The wiring should be completed as shown in the following picture



Attention:

The installation spacing and position of the lamps should reserve space for the front, back, left, and right corners to ensure that they will not collide with lamp posts, beams, horse paths, or other objects at any lighting angle.

● Cautions

- Please make sure the installation and maintenance shall be conducted by electrical professionals.
- Please do not turn on the light before installation complete.
- Before installation, please make sure the mounting surface is strong and stable, and there is enough contact surface to fix the light in place.
- BDX series have three-core wire, live wire L, neutral wire N, yellow and green wire is grounding E, please make sure the connection part is able to meet the waterproof requirement IP65 or even higher standard.
- When abnormal symptoms occur in the light, please cut off the power immediately.
- You may add additional protection to the external cable or wire according to your needs.
- The light source is not replaceable. When the light can not be turn on, you need to replace it with a new light.



- Do not cover the luminaire with any objects;
- Do not use the product in a closed environment;
- The maintenance of the luminaire must be done by professionals;
- Product specifications are subject to change without notice.

WARNING



Danger of electric shock