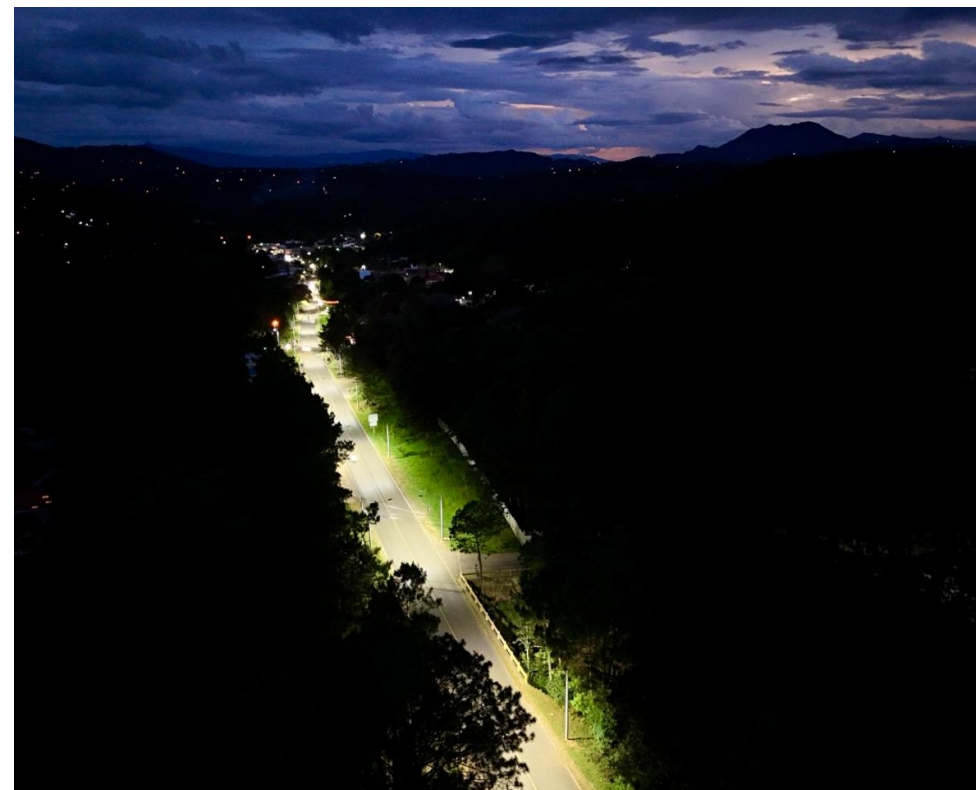


LED STREET LIGHT

NAPRO



Unilumin
THE LED APPLICATION PIONEER



UNILUMIN GROUP CO., LTD

HQ Address: 112 Yongfu Rd., Qiaotou Village, Fuyong Town, Baoan District, Shenzhen 518103 China
Manufacturing Base: No.105 Zhongan Avenue, Minmin Town, Zhongshan, Guangdong Province, China
TEL: +86-0755-29918999 | FAX: +86-0755-29912092 | E-mail: ledlighting@unilumin.com
www.unilumin.com | www.unilumin-lighting.com

The product designs and specifications are subject to change without prior notice.
All rights reserved, copy is prohibited without the permission of Unilumin Group Co., Ltd.



Official Website



Facebook



Twitter



LinkedIn



Instagram

Published: November 2024

UNILUMIN GROUP CO., LTD



About Unilumin

Established in 2004, is a world-class LED lighting and display solution provider. As a key business of Unilumin Group, Unilumin Lighting has established a firm foothold in the LED lighting industry and has been a trusted global partner offering comprehensive lighting solutions and exceptional customer service. Our relentless dedication to R&D and customer satisfaction has positioned Unilumin as a top LED lighting brand, known for our worldwide presence and core competitive edges.

Why Choose Unilumin



16 Years of Outdoor Lighting Expertise



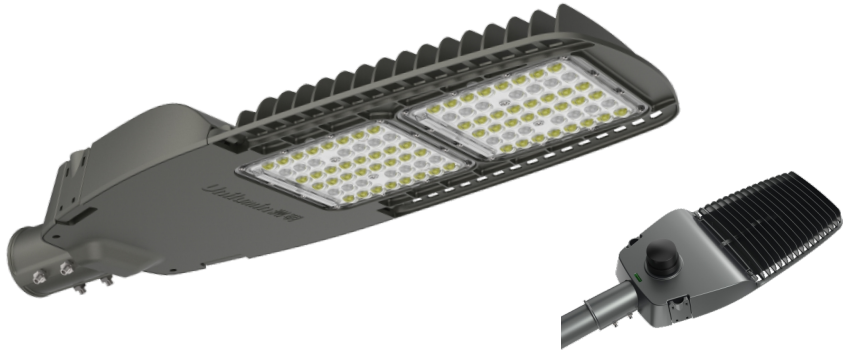
ISO/IEC 17025 Accredited LAB & Precise Automatic Production



Flexible Customization Services



Recognized by Clients in Over **80** Countries



Napro Series

Napro offers effortless road lighting with its tool-free top cover design for easy maintenance. Compatible with smart control systems via a 7-pin NEMA socket, it ensures clear, efficient, and glare-free illumination. Durable and robust, Napro is built to perform reliably in modern road applications.

Features & Benefits

1. Cost effective with high luminaire efficacy up to 170lm/W enabling fast payback
2. Tool-free top cover design for easy maintenance
3. Die-casting aluminum alloy housing, robust and durable
4. Optical-grade PC lens with 5-year anti-yellowing durability
5. Professional road-specific light distribution for enhanced lighting efficiency
6. Top-mounted 7-pin NEMA socket compatible with various smart control systems
7. Unique anti-glare design for premium light output

Application



Urban & Residential Street



Pedestrian Path



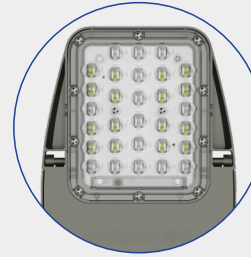
Park & Square



Rural Road



Bridge

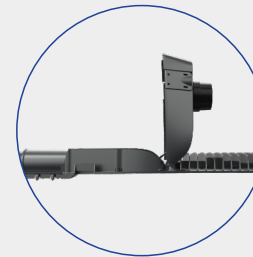
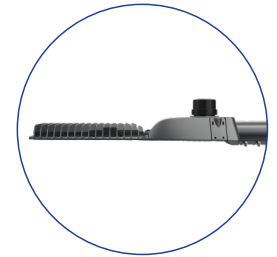


Top-class lighting performance

Professional road optics
Anti-glare design for superior output

Sleek and streamlined design

Enhancing aesthetics while optimizing space efficiency during transport and storage

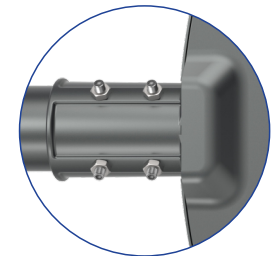


Tool-Free Top Cover Design

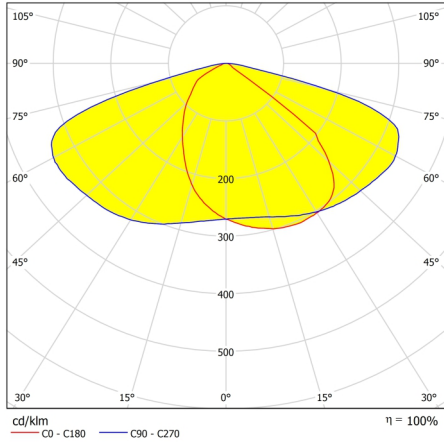
Simplifying maintenance and saving time

Integrated Mounting Sleeve

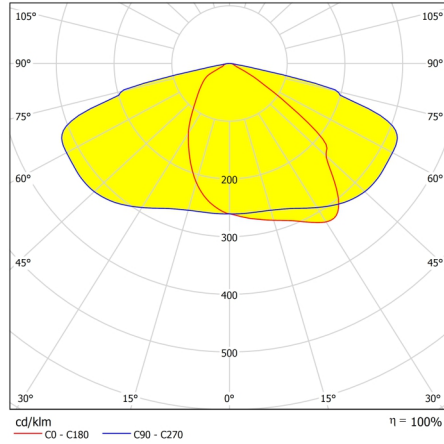
Enhancing structural stability, ensuring durability and reliable performance



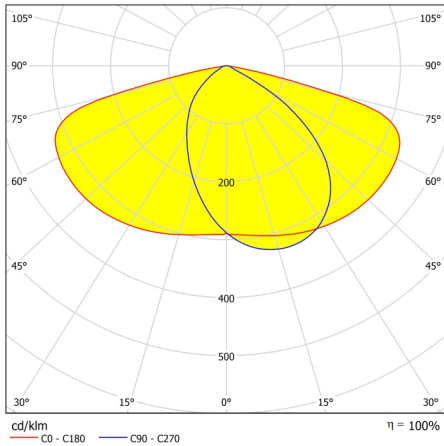
Light Distributions



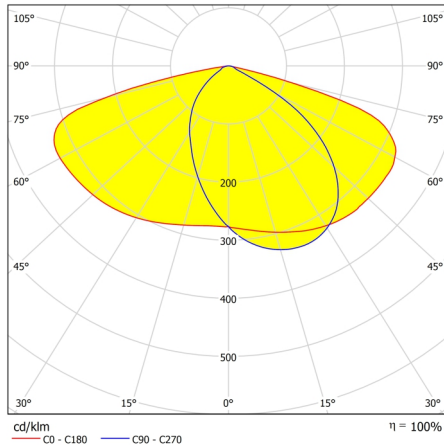
UNI-717-20 (60/100W 3030)



UNI-733-00 (150W/250W 3030)



UNI-677-10 (60/100W 5050)



695-10 (150W/250W 5050)

3030 Light Source

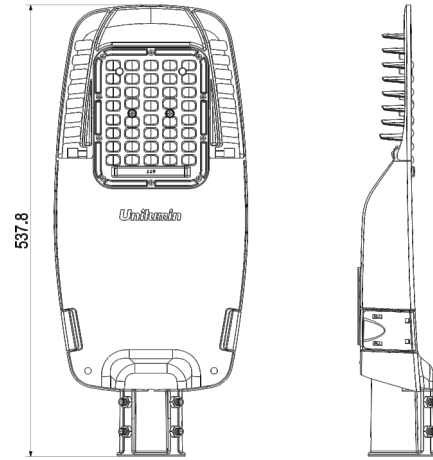
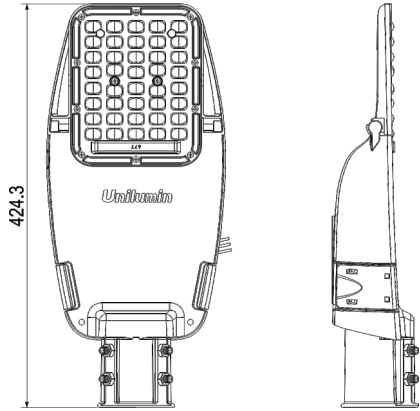
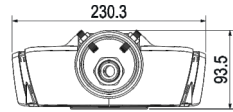
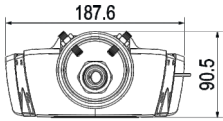
Power (W)	LED QTY (pcs)	Light Distribution	4000K Ra70@Ta=25°C	
			Luminaire Efficiency	Luminous Flux
20	24	UNI-STD2-2	130lm/W	2600 lm
40	48			5200 lm
60	64			7800 lm
80	80	UNI-STD2-3		10400 lm
100	96			13000 lm
120	128	UNI-STD2-1		15600 lm
150	160			19500 lm
180	192	UNI-STD2-4		23400 lm
200	192			26000 lm
220	224			28600 lm
250	256		32500 lm	

5050 Light Source

Power (W)	LED QTY (pcs)	Light Distribution	4000K Ra70@Ta=25°C	
			Luminaire Efficiency	Luminous Flux
20	16	UNI-STD2-2	170lm/W	3400 lm
40	24			6800 lm
60	40			10200 lm
80	40	UNI-STD2-3		13600 lm
100	40			17000 lm
120	64	UNI-STD2-1		20400 lm
150	72			25500 lm
180	84	UNI-STD2-4		30600 lm
200	96			34000 lm
220	96			37400 lm
250	112		42500 lm	

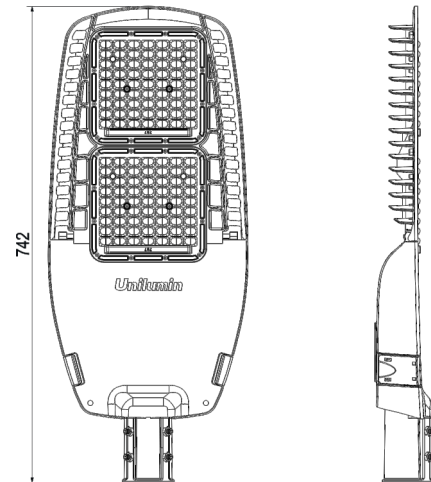
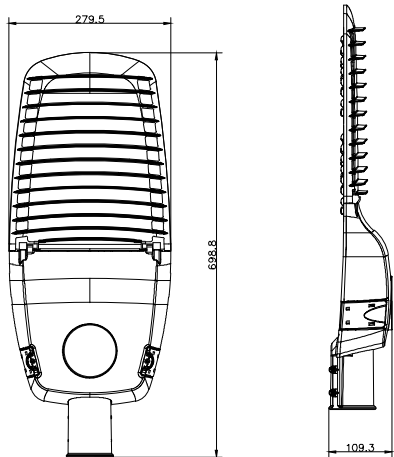
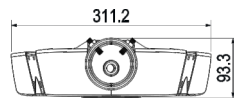
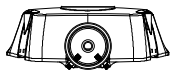
The luminaire efficacies are the typical values, ±7% tolerance is reserved.

Dimensions



UNI-STD2-2 (60W)

UNI-STD2-3 (100W)



UNI-STD2-1 (150W)

UNI-STD2-4 (250W)

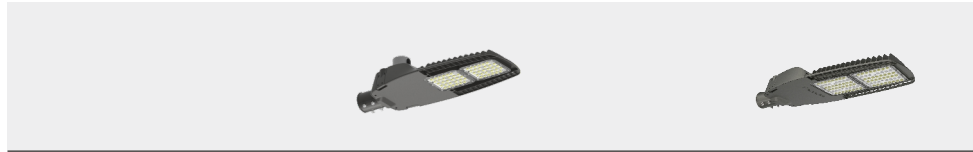
Parameters



Product Model	UNI-STD2-2		UNI-STD2-3		
Input Voltage	AC100-277V 50/60Hz				
Power (W)	20	40	60	80	100
Luminous Flux 3030 (lm)	2600	5200	7800	10400	13000
Luminous Flux 5050 (lm)	3400	6800	10200	13600	17000
Power Factor	≥0.92	≥0.92	≥0.92	≥0.92	≥0.92
CCT	3000K/4000K/5000K/5700K/6500K				
Luminaire Efficiency @4000K Ta=25°C	3030: 130lm/W		5050: 170lm/W		
CRI	70				
Working Temp.	- 40°C ~ 50°C				
Working Humidity	10% ~ 90% RH				
Housing Materials	Die-casting aluminum alloy				
IP / IK	IP66/IK08				
Max Projected Area (m ²)	0.08				
Product Dimension (mm)	424.3x187.6x90		537.8x230.3x93		
Net Weight (kg)	3.0±0.2		4.0±0.2		

Note: The tolerance of Luminous Flux is ±7%

Parameters



Product Model	UNI-STD2-1				UNI-STD2-4	
Input Voltage	AC100-277V 50/60Hz					
Power (W)	120	150	180	200	220	250
Luminous Flux 3030 (lm)	15600	19500	23400	26000	28600	32500
Luminous Flux 5050 (lm)	20400	25500	30600	34000	37400	42500
Power Factor	≥0.95					
CCT	3000K/4000K/5000K/5700K/6500K					
Luminaire Efficiency @4000K Ta=25°C	3030: 130lm/W 5050: 170lm/W					
CRI	70					
Working Temp.	- 40°C ~ 50°C					
Working Humidity	10% ~ 90% RH					
Housing Materials	Die-casting aluminum alloy					
IP / IK	IP66/IK08					
Max Projected Area (m ²)	0.145				0.18	
Product Dimension (mm)	698.8x279.5x109				742x311.2x93	
Net Weight (kg)	5±0.2				7±0.2	

Note: The tolerance of Luminous Flux is ±7%

