

Edge II

UNI-HBE7G2



Standard Color: Black

Features:

● Wide Range of Application

- More conventional Power (100W/150W/200W/240W) can meet most customer needs,
- 3 kinds of light distribution (60°/90°/120°) are available, suitable for a variety of scenes
- More Intelligent Options: 0-10V, DALI, external microwave motion sensor, Zhaga
- Wide Working Temperature Range: -35~50°C.

● Superior Performance

- High light efficiency: 150lm/W, 170lm/W, 190lm/W @ Ra80 4000K
190→200lm/W @ Ra70 4000K
- Optional anti-glare aluminum cover for low UGR requirements
- Support 3 mount modes of Hanging Chain , Sag rod and U-shaped bracket , more widely used;
- Protection grade: IP65/IK08

● Safe and reliable

- The lamp body is die-casting aluminum, split power supply structure, strong and durable
- Surge protection grade: L-N 6KV, L/N-G 6KV
- Life time: L70/B50 More than 50,000 hours @ 25°C, 5 years warranty

Optional accessories

(1) Aluminum Visor



(2) Microwave sensor



(3) Surface mount bracket



Industrial Light Specification



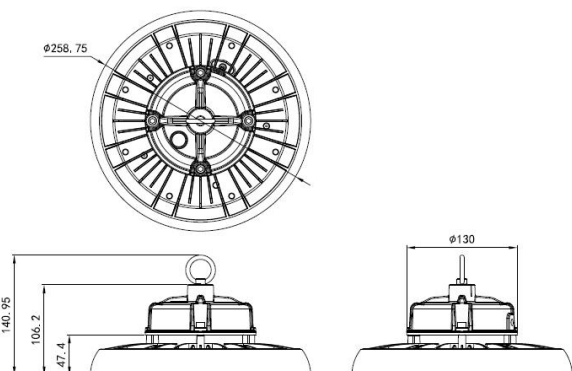
Product Model	UNI-HBE7-1-100	UNI-HBE7-2-150	UNI-HBE7-3-200	UNI-HBE7-4-240	UNI-HBE7G2-1-100	UNI-HBE7G2-2-150	UNI-HBE7G2-3-200	UNI-HBE7G2-3-240
Sensing version	Microwave sensing version				Non-sensing version			
Power (W)	100	150	200	240	100	150	200	240
Power Factor	PF≥0.95							
Input Voltage	AC100-277V 50/60Hz							
CCT (K)	3000K / 4000K / 5000K / 5700K / 6500K							
Color Tolerance	SDCM≤5							
Luminaire Efficiency @5000K Ra80 90° 25°C (lm/W)	150 / 170 / 190							
Luminous Flux (lm)	15000/17000 /19000	22500/25500 /28500	30000/34000 /38000	36000/40800 /45600	15000/17000/ 19000	22500/25500/ 28500	30000/34000/ 38000	36000/40800/ 45600
CRI	70/80							
Working Temp.	- 35 °C ~ 50 °C							
Working Humidity	10 % ~ 90 % RH							
Storage Temp.	- 30 °C ~ 50 °C							
Housing Materials	Die-casting aluminum + PC							
Finishing color	Black							
IP Grade	IP65							
IK Grade	IK08							
Surge Protection	L-N: 6KV 、 L/N-G: 6KV							
Life Span	50000Hrs							
Product Dimension (mm)	φ259*106	φ285*111	φ341*120	φ373*137	Φ236*H101	Φ286*H106	Φ336*H115	Φ336*H115
Packing Dimension (mm)	310*310*145	336*336*150	390*390*160	425*425*170	280*280*135	336*336*150	370*370*150	370*370*150
Net Weight (kg)	1.8	2	2.4	2.55	1.45	1.85	2.35	2.45
Gross Weight (kg)	2.15	2.6	3	3.5	1.9	2.4	3	3.1
Accessory	Surface mount bracket / AL visor							

Note: The tolerance of Luminous Flux for lighting products is ±7%

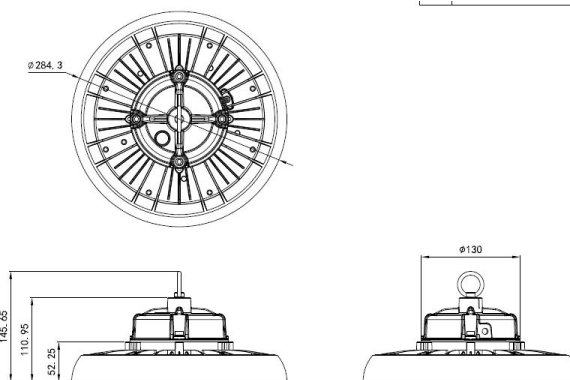
Product Dimension:

Microwave sensing version

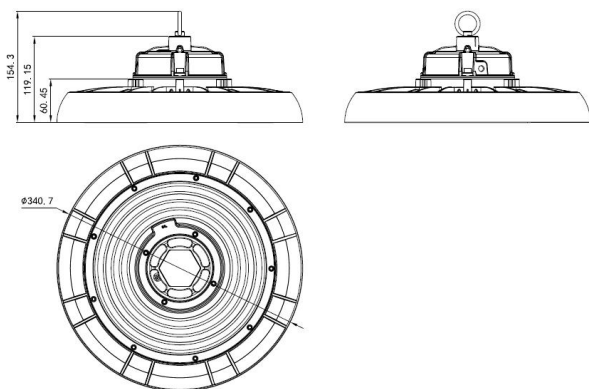
UNI-HBE7-1-100



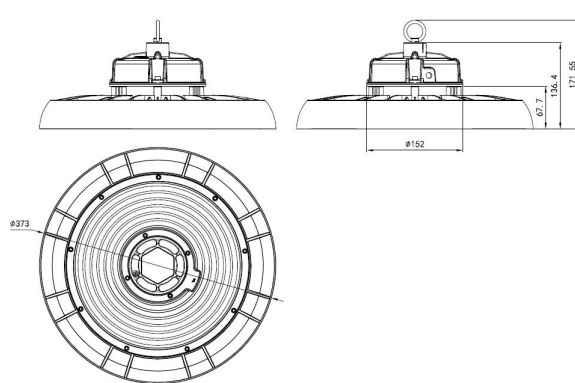
UNI-HBE7-2-150



UNI-HBE7-3-200



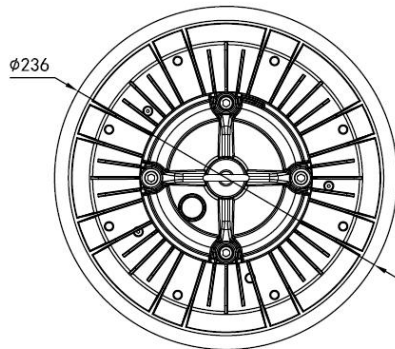
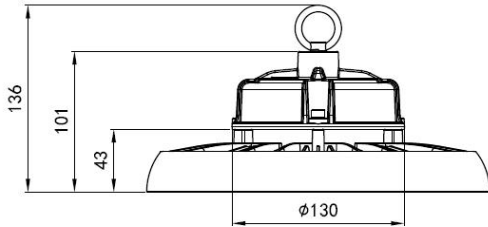
UNI-HBE7-4-240



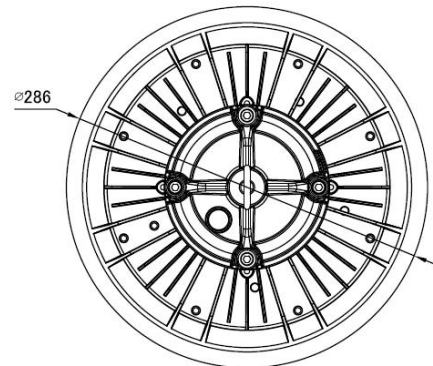
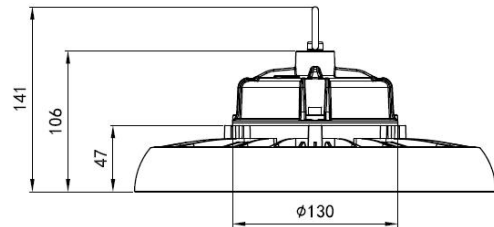
Product Dimension:

Non-sensing version

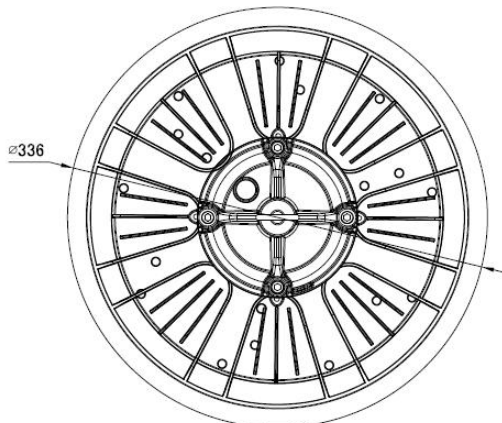
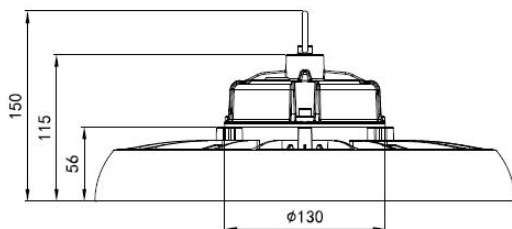
UNI-HBE7G2-1-100



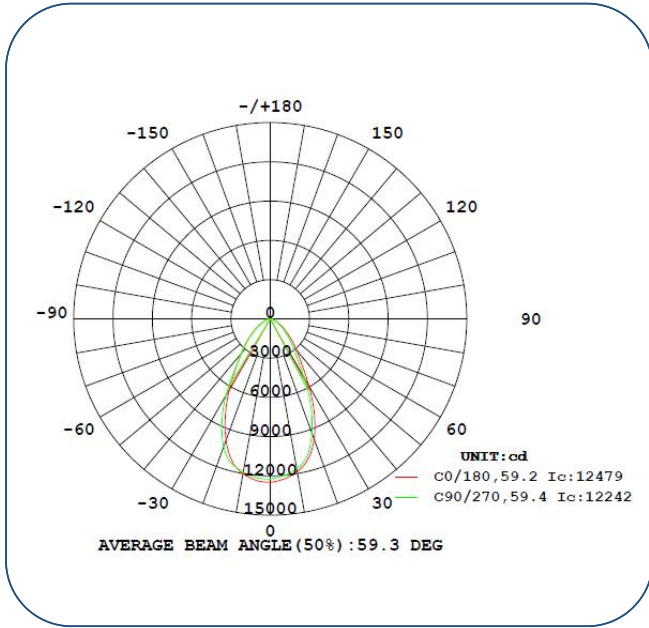
UNI-HBE7G2-2-150



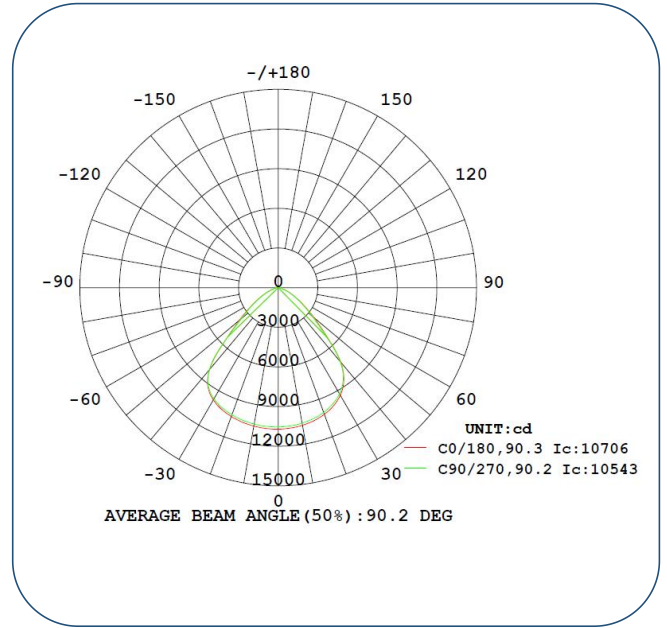
UNI-HBE7G2-3-200/
UNI-HBE7G2-3-240



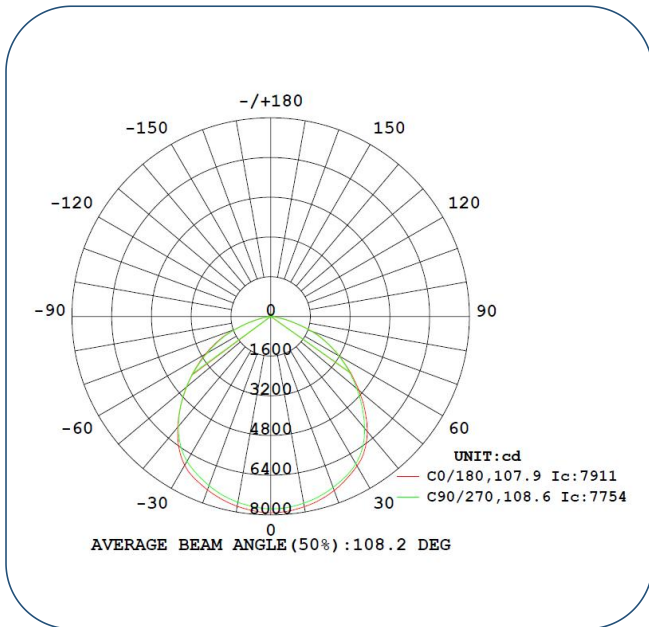
Light Distributions:



60°



90°



120°

Note: The pictures are only the references of typical light distribution type, and the specific parameters shall be subject to the actual IES of the product.

Maintenance:

- Keep the luminaire in clean and good maintenance to ensure long lifespan and safety use.
- Wipe the luminaire with soft cloth dipped with soapy water (squeeze the water out first), and then make it clean and dry with a new cloth;
- Do not use volatile chemical liquids such as gasoline, alcohol or insecticides to clean the luminaire, otherwise damage occurs.

Cautions:

- Make sure safe and complete installation before power on;
- Do not mount the luminaire onto ordinary combustible materials directly in any circumstances;



- Do not cover the luminaire with any objects;
- Do not use the product in a closed environment;
- The maintenance of the luminaire must be done by professionals;
- **The external wiring of the luminaire is Z-shaped. If damaged, the luminaire should be scrapped.**
- The light source, if damaged, shall be replaced with chips provided by the manufacturer or service team.

Warning, danger of electric shock



- Statement: The luminaire complies with the non-hazardous requirements in the photobiological safety standard IEC 62471:2006;
- Product specifications are subject to change without notice.