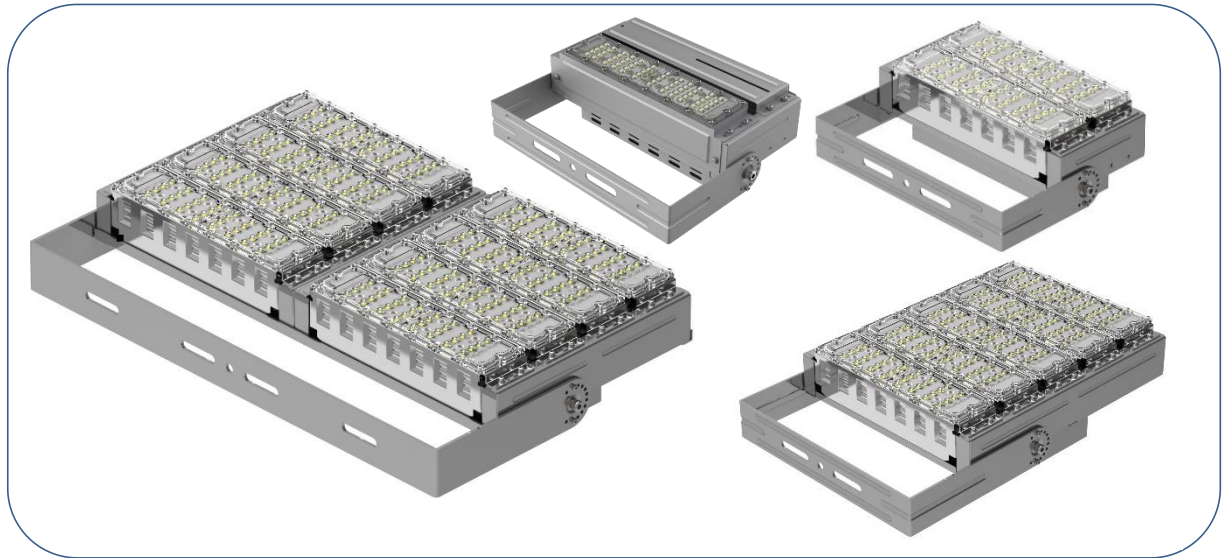


## Modulux



### Features

- **Superior performance**

- Efficacy up to 150lm/W@2300K
- Lumen packages up to 72000 lm

- **High light uniformity with low glare**

- **Easy to use**

- Angle adjustment:  $-50^{\circ} \sim 140^{\circ}$
- Installation height: 10~30m
- Rated Power Range: 40W-480W@AC100-277V 50/60Hz
- Modular design optimize the flexibility to fit different application needs, include but not limited to crossroads, harbors, airports, parking lots, logistic hubs, industrial areas. Outdoor recreational sports fields, like tennis courts, etc.

- **High reliability**

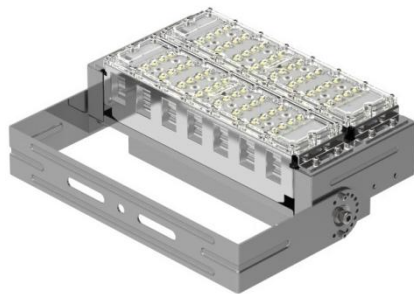
- Housing Material: Aluminum alloy+ PC
- Protection Degree: IP66 IK08
- Operating environment: Operating Temperature  $-40^{\circ}\text{C} \sim 45^{\circ}\text{C}$ , Operating Humidity 10% ~ 90 %RH, Storage Temperature  $-40^{\circ}\text{C} \sim 55^{\circ}\text{C}$

## Product Image

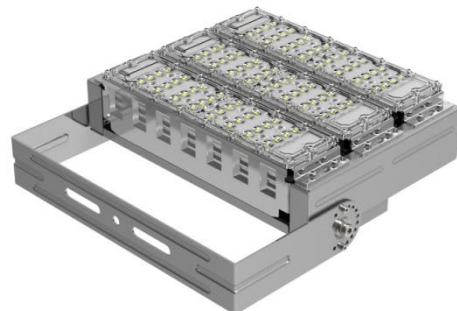
1) UNI-PR05-1



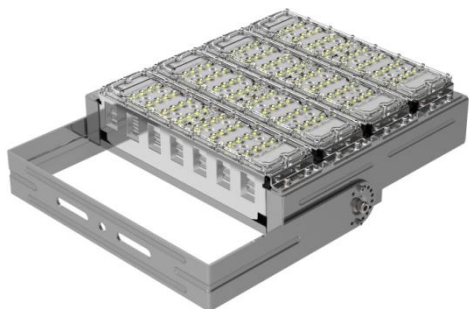
2) UNI-PR05-2



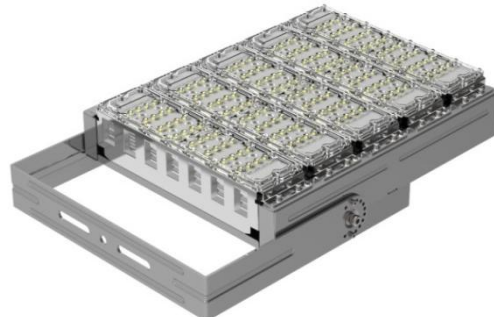
3) UNI-PR05-3



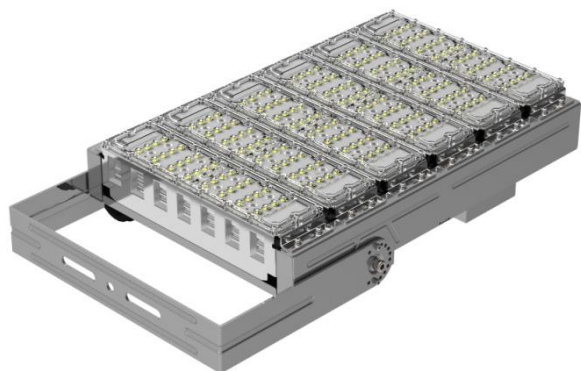
3) UNI- PR05-4



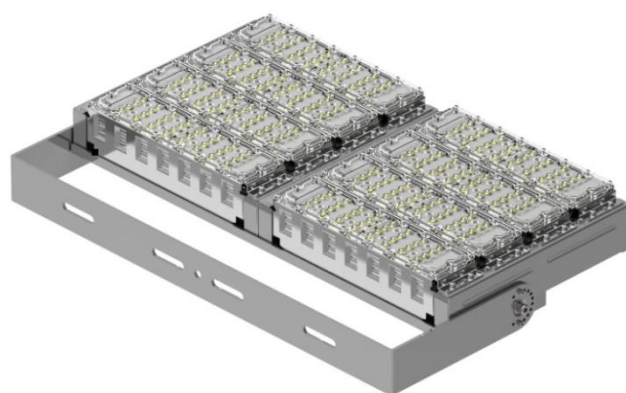
4) UNI- PR05-5



5) UNI- PR05-6

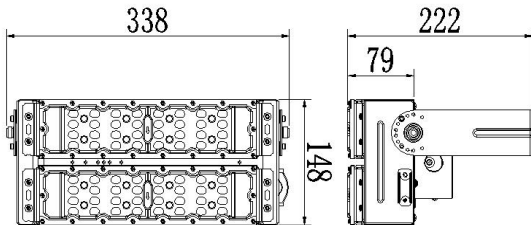


6) UNI- PR05-8

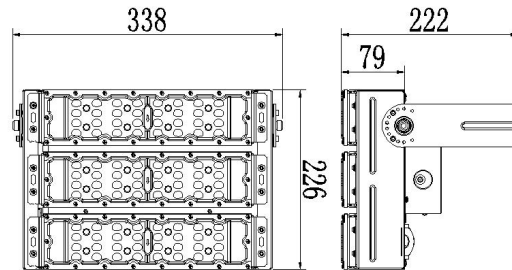


## Product Dimension

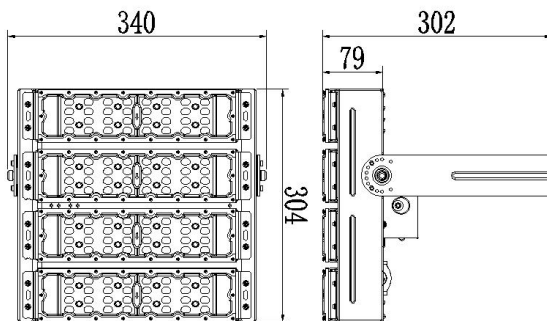
1) UNI-PR05-1/UNI-PR05-2



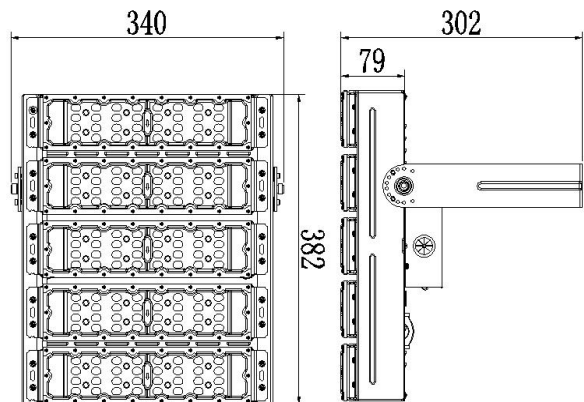
2) UNI-PR05-3



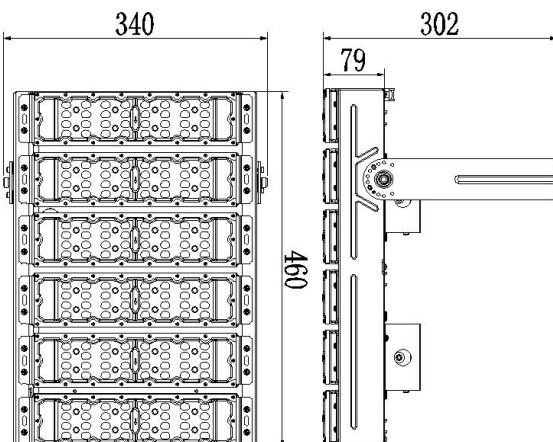
3) UNI-PR05-4



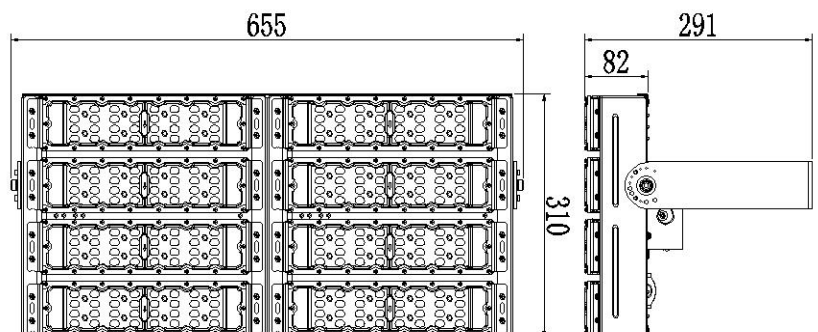
4) UNI-PR05-5



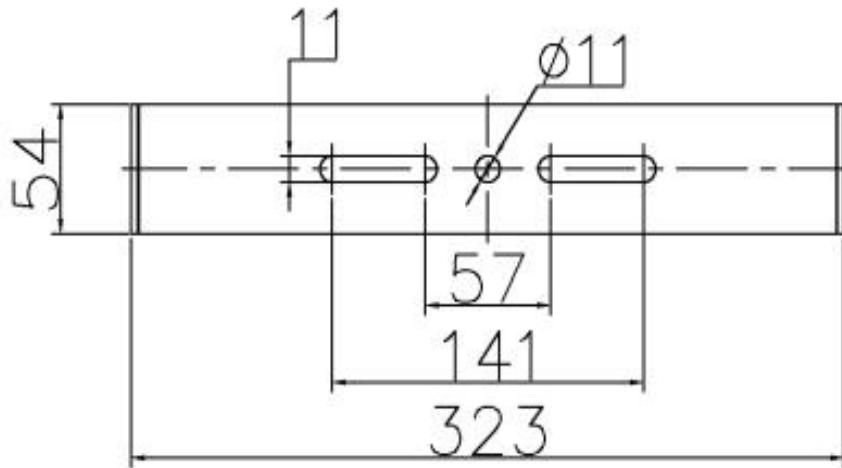
5) UNI-PR05-6



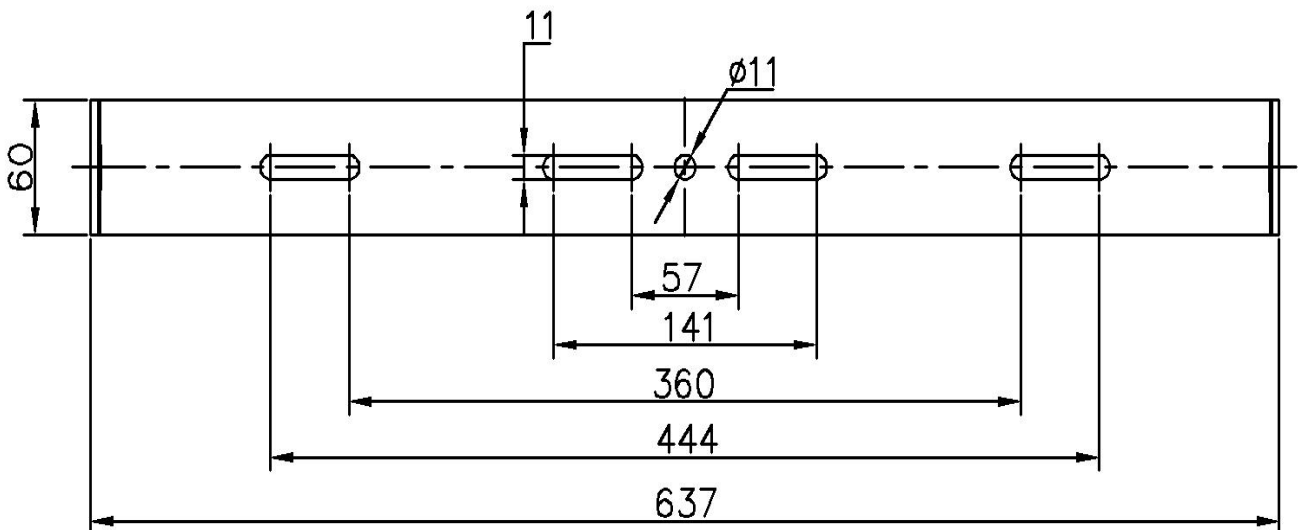
6) UNI-PR05-8



## U bracket Hole Position



U bracket hole position for 2 to 6 modules



U bracket hole position for  $\geq 8$  modules

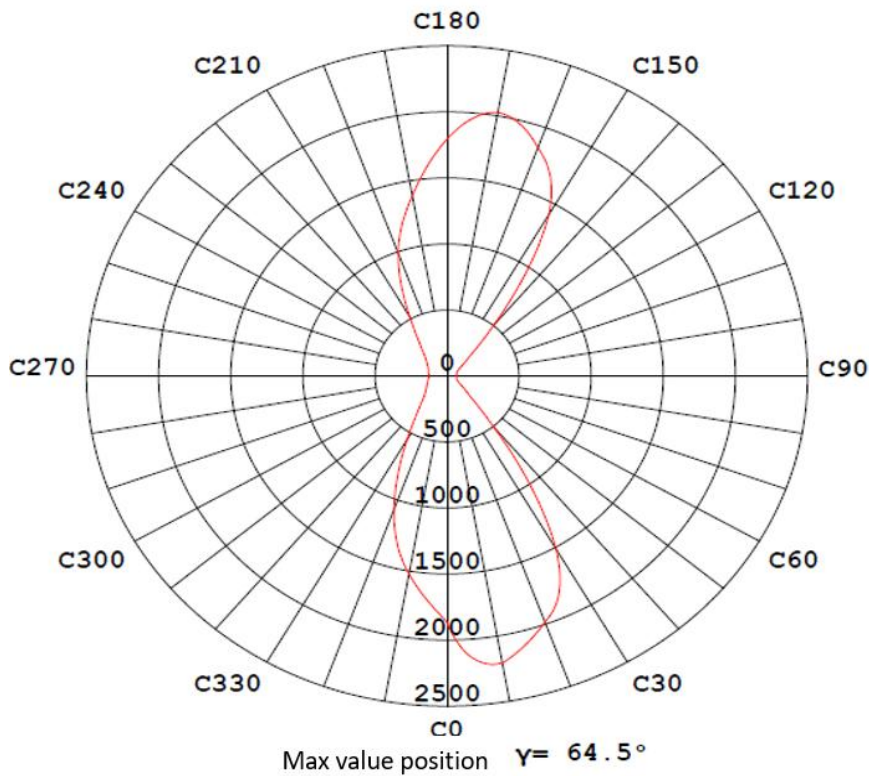
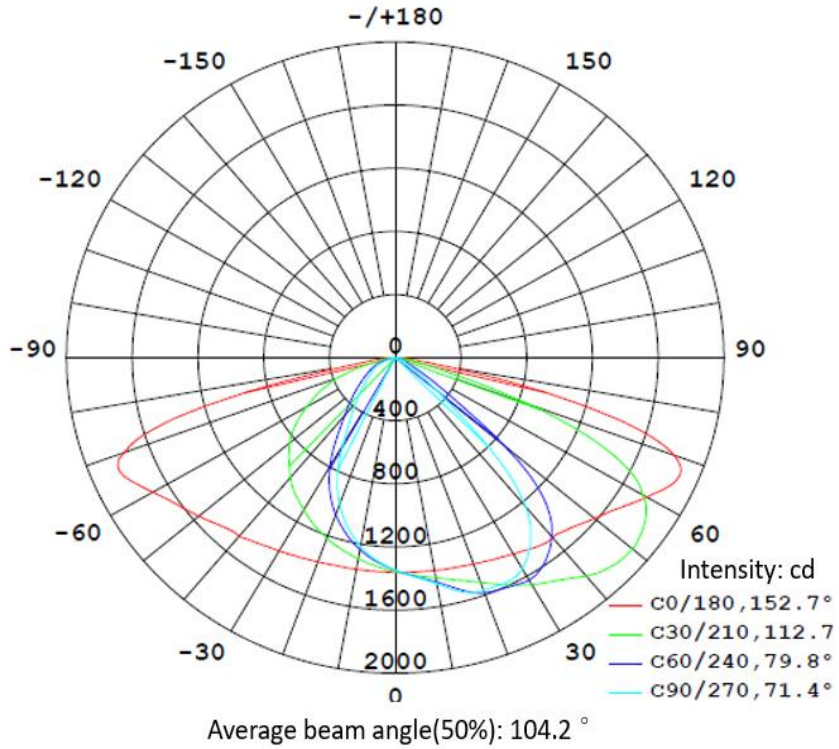
# Flood Light Specification

## Product Parameters:

Product Model	UNI-PR05-1	UNI-PR05-2	UNI-PR05-3	UNI-PR05-4	UNI-PR05-5	UNI-PR05-6	UNI-PR05-8
Light Source	Philips/Osram/Samsung 3030 or 5050						
Rated Input Voltage / Frequency	AC100-277V 50/60HZ						
Power Factor	≥0.98						
Rated Power (W)	40~60	80~120	150~200	220~240	300	360	480
Rated Lumen (lm)	6000~9000	12000~18000	22500~30000	33000~36000	45000	54000	72000
Luminaire Efficacy	Up to 150 lm/W @2300K 5050LED, Ta=25°C						
Color Temperature	3000±300K/4000±300K/5000±300K/5700±500K/6500±500K						
Ra	> 70						
Beam angle	Type II						
Operating Temperature	- 40 °C ~ 45 °C						
Operating Humidity	10 % ~ 90 % RH						
Storage Temperature	-40 °C ~ 55 °C						
Lifespan	50,000 Hours						
Housing Material	Aluminum alloy+ PC						
Protection Degree	IP66						
Installation Height (m)	10~30						
Installation accessories	M10 screw and nut						
Tilting Angle Range	-50°~140°						
Max casting area (m <sup>2</sup> )	0.05	0.05	0.07	0.1	0.13	0.16	0.2
Luminaire Dimension (mm)	338×148×222	338×148×222	338×226×222	340×304×302	340×382×302	340×460×302	655×310×291
Packing Dimension (mm)	470×200×380	470×200×380	325×278×388	365×312×380	365×178×458	365×178×535	680×178×395
Net Weight (kg)	3.4±0.2	3.4±0.2	4.2±0.2	6.0±0.2	7.7±0.2	8.5±0.2	13.1±0.2

Note: The tolerance of Luminous Flux for lighting products is ±7%

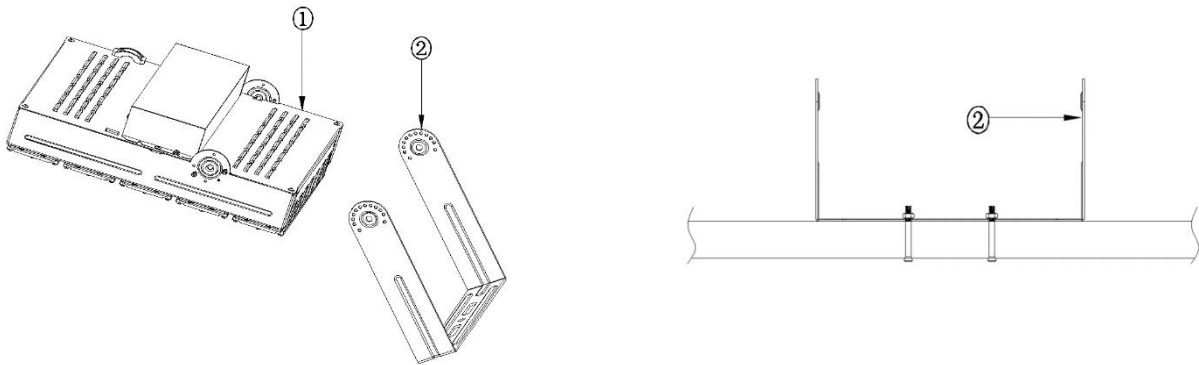
## Light Distributions



Note: The pictures are only the references of typical light distribution type, and the specific parameters shall be subject to the actual IES of the product.

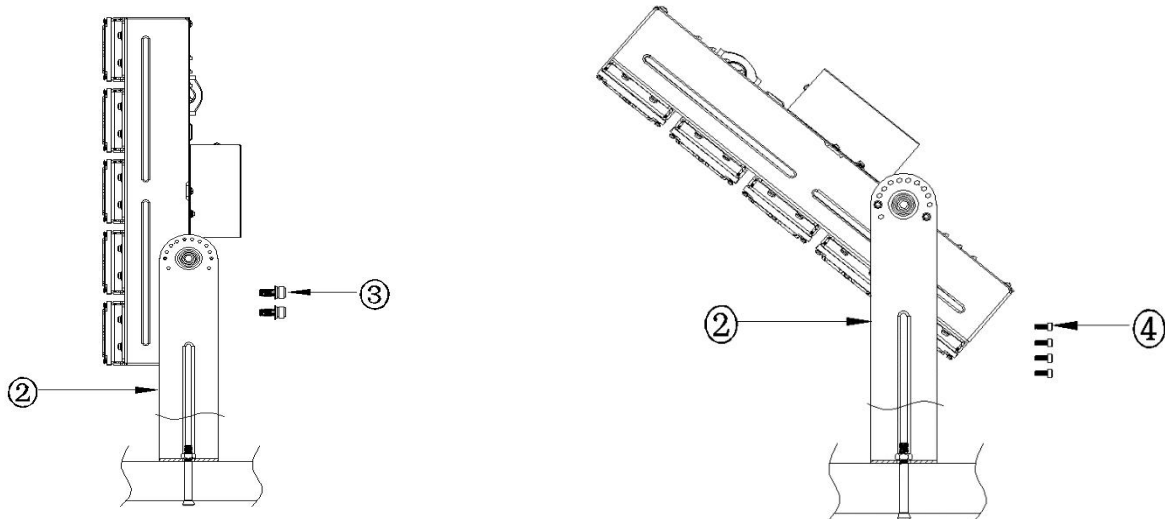
## Installation Guide

- (1) Open package box and take out the light ① in U bracket ②.
- (2) Use M10 screw and nut to mount the U bracket ② on the installation surface.

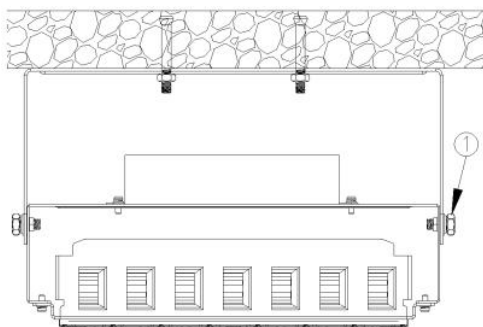


(3) Put light ① in between U bracket ②, then use M8 screw ③ with spring and washer to lock the light on bracket ②.

(4) Adjust the light to the intended angle, then use M4 screws through U bracket to fix the angle (remark: at least 2XM4 screws are needed for each side of U bracket)



(5) Wiring correctly: L(Brown wire) connects Live from mains, N(blue wire) connects Neutral, and green-yellow wire connects ground. Please make sure water proof treatment are taken in consideration for wiring.



## Maintenance

- Keep the luminaire in clean and good maintenance to ensure long lifespan and safety use.
- Wipe the luminaire with soft cloth dipped with soapy water (squeeze the water out first), and then make it clean and dry with a new cloth;
- Do not use volatile chemical liquids such as gasoline, alcohol or insecticides to clean the luminaire, otherwise damage occurs.

## Cautions

- Make sure safe and complete installation before power on;
- Do not mount the luminaire onto ordinary combustible materials directly in any circumstances;



- Do not cover the luminaire with any objects;
- Do not use the product in a closed environment;
- The maintenance of the luminaire must be done by professionals;
- The external wiring of the luminaire is Z-shaped. If damaged, the luminaire shall be scrapped immediately;
- The light source, if damaged, shall be replaced with chips provided by the manufacturer or service team.

**Warning, danger of electric shock**



- Statement: The luminaire complies with the non-hazardous requirements in the photobiological safety standard IEC 62471:2006;
- Product specifications are subject to change without notice.