

LumiBay

UNI-HB07



Standard Color: Gray

Features:

● Ultra High Performance

- Ultra Energy Efficient: 160lm/W@ 80W/120W/160W/200W. Motion/Brightness sensor options make it even more energy-saving.

- Rated Input Voltage: 220-240V 50/60Hz ;

- Surge Protection: L/N-PE: 6KV, L-N: 4KV

● Unique Convenient design

- Unique patented industrial design;

- DIP switch options available for changing wattage within one size enhance the flexibility of inventory management.

- Installation Method: Sag rod Installation, Hanging Chain Installation, Bracket Installation(-90° ~ 90°) ;

● Ultra High Reliability

- Die-casting aluminum housing with Unilumin superior thermal design capability, this integrated driver design is of 50,000Hrs@230V 40°C Life Span.

- Operating environment: Operating Temperature - 40°C ~ 40°C, Operating Humidity 10% ~ 90 %RH, Storage Temperature -40 °C ~ 55 °C.

Optional accessories

(1) Gourd buckle



(2) Microwave sensor and remote control



(3) Surface mount bracket



(4) Aluminum Visor



Industrial Light Specification

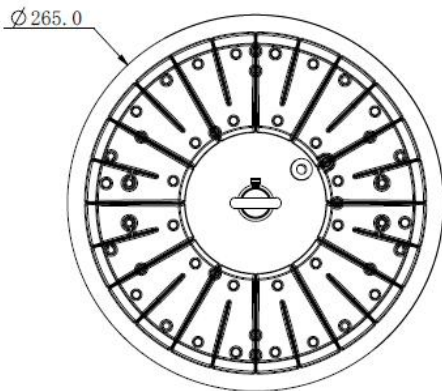
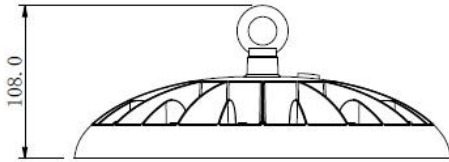


Product Model	UNI-HB07-1-080	UNI-HB07-1-120	UNI-HB07-2-160	UNI-HB07-2-200	UNI-HB07-1S-080	UNI-HB07-1S-120	UNI-HB07-2S-160	UNI-HB07-2S-200
Power (W)	80	120	160	200	DIP 80/60/40	DIP 120/90/60	DIP 160/120/80	DIP 200/150/100
Power Factor	PF≥0.95 @fullload							
Input Voltage	AC220-240V 50/60Hz							
CCT (K)	3000K / 4000K / 5000K / 5700K / 6500K							
Color Tolerance	≤6SDCM							
Luminaire Efficiency @4000K Ra80 90° 25°C (lm/W)	160							
Luminous Flux (lm)	12800	19200	25600	32000	4000-12800	5800-19200	8000-25600	10000-32000
CRI	Ra≥80							
Working Temp.	- 40 °C ~ 40 °C							
Working Humidity	10 % ~ 90 % RH							
Storage Temp.	- 40 °C ~ 55 °C							
Housing Materials	Die-casting aluminum + PC							
Finishing color	Gray							
IP Grade	IP65							
IK Grade	IK08							
Surge Protection	L-N: 4KV 、 L/N-G: 6KV							
THD	<15%							
Life Span	50000Hrs@230V 40°C							
Product Dimension (mm)	Φ265*H108		Φ310*H114		Φ265*H116		Φ310*H122	
Packing Dimension (mm)	335*325*145		380*370*145		335*325*145		380*370*145	
Net Weight (kg)	1.4		2.1		1.4		2.1	
Gross Weight (kg)	1.9		2.7		1.9		2.7	
Accessory	Gourd buckle / Microwave sensor / remote control / Surface mount bracket / AL visor							

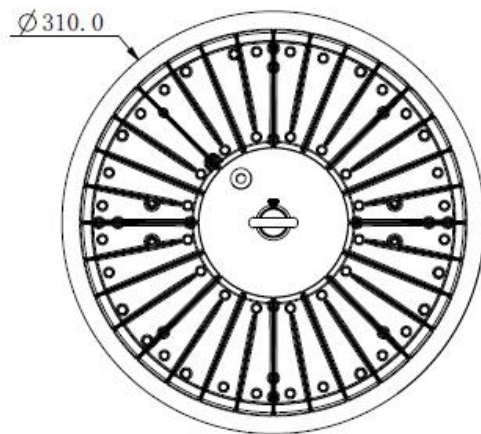
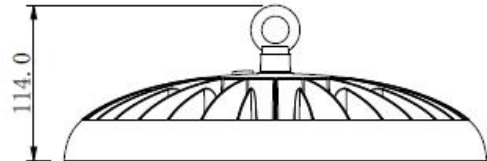
Note: The tolerance of Luminous Flux for lighting products is ±7%

Product Dimension:

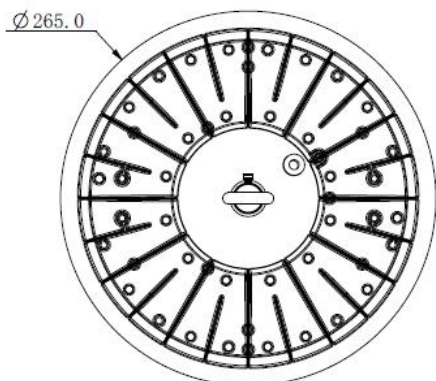
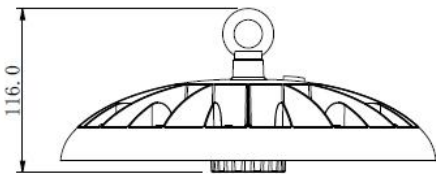
UNI-HB07-1-080 /
UNI-HB07-1-120



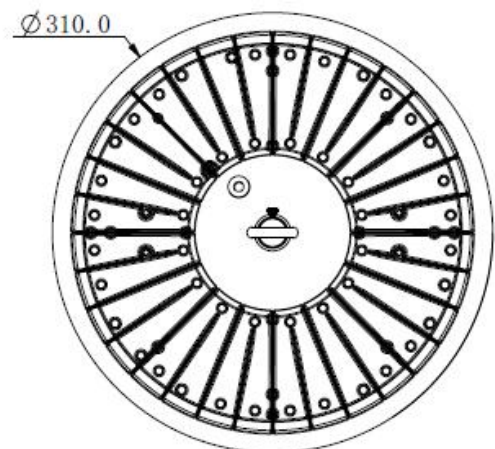
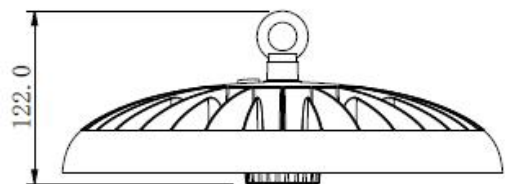
UNI-HB07-2-160 /
UNI-HB07-2-200



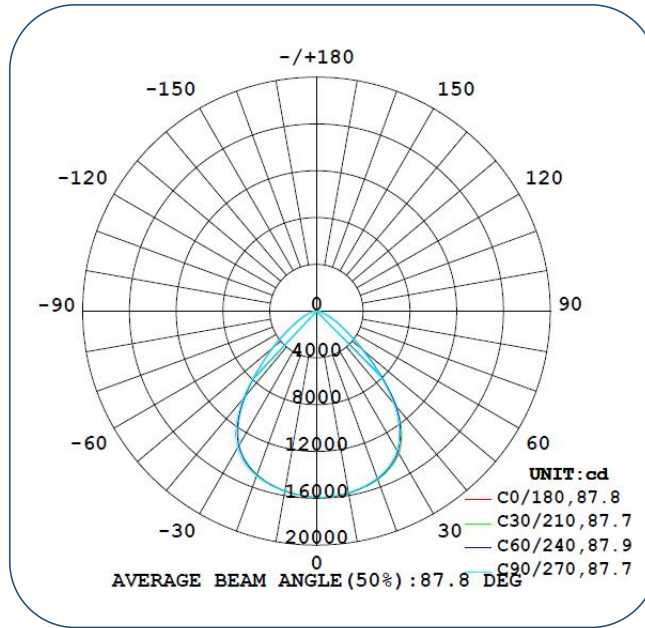
UNI-HB07-1S-080 /
UNI-HB07-1S-120



UNI-HB07-2S-150 /
UNI-HB07-2S-200



Light Distributions:

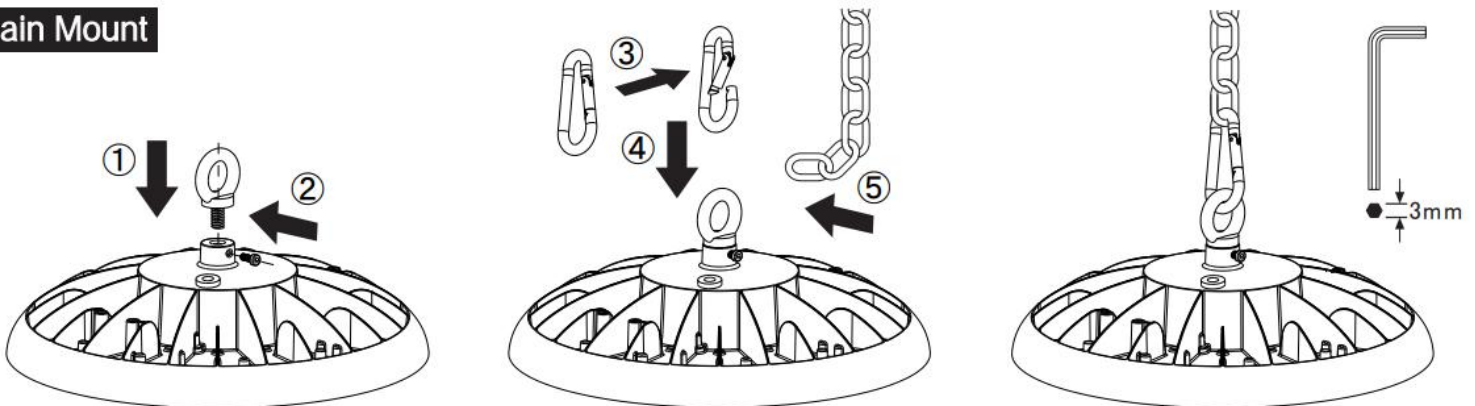


90°

Note: The pictures are only the references of typical light distribution type, and the specific parameters shall be subject to the actual IES of the product.

Hanging Chain Installation Diagram :

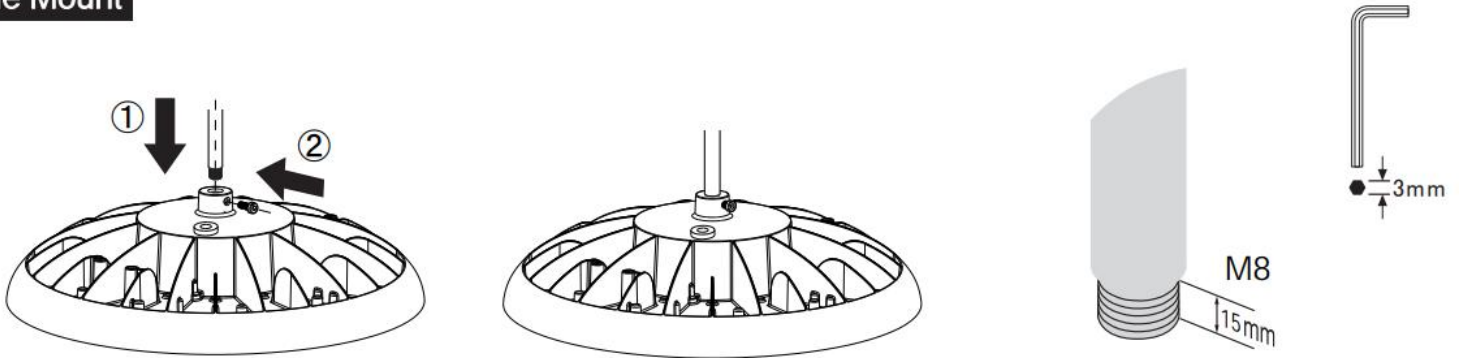
Chain Mount



Chain not provided, please purchase suitable chain

Sag Rod Installation Diagram :

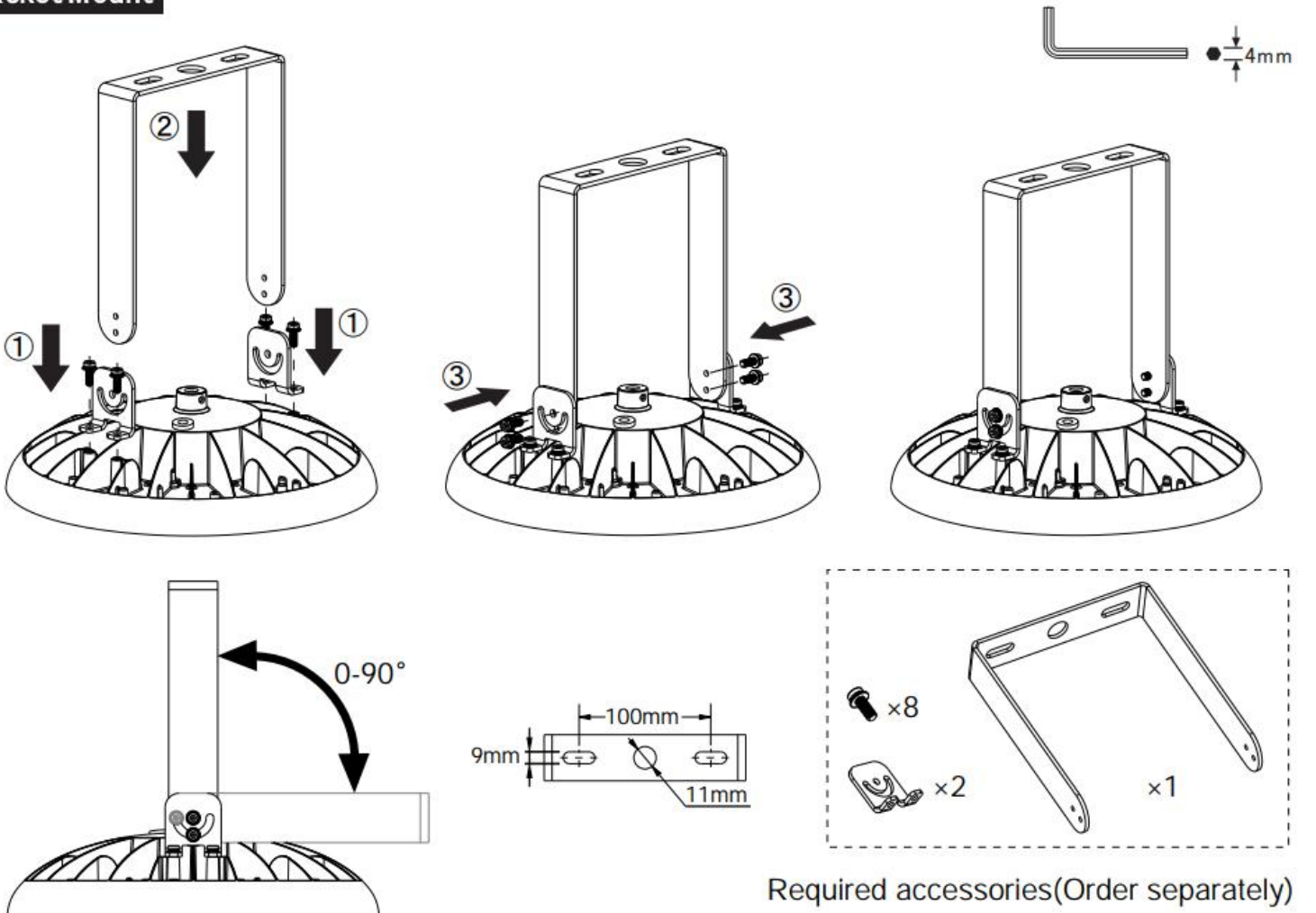
Pole Mount



Pole not provided, please purchase suitable pole

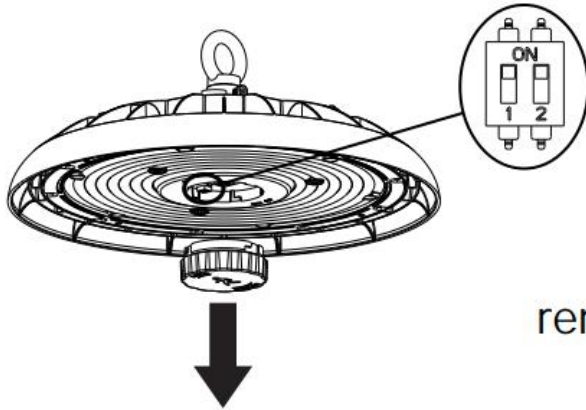
Bracket Installation Diagram :

Bracket Mount



Required accessories(Order separately)

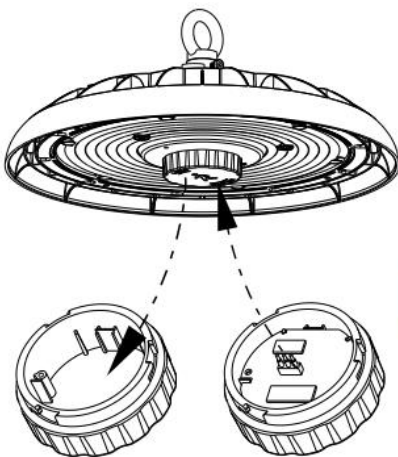
DIP switch power adjustable



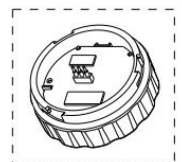
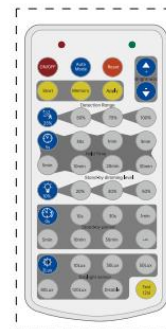
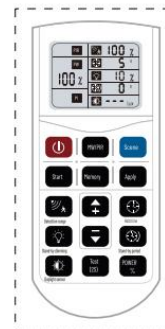
Install clockwise and
remove counterclockwise

1	2	UNI-HB07-1S-080	UNI-HB07-1S-120	UNI-HB07-2S-160	UNI-HB07-2S-200
OFF	OFF	80W	120W	160W	200W
ON	OFF	60W	90W	120W	150W
OFF	ON	40W	60W	80W	100W
ON	ON	25W	35W	50W	60W

Motion sensor



Uninstall the cover,
install the sensor



Sensor parameter setting refers to
the sensor's manual

Order separately

Maintenance:

- Keep the luminaire in clean and good maintenance to ensure long lifespan and safety use.
- Wipe the luminaire with soft cloth dipped with soapy water (squeeze the water out first), and then make it clean and dry with a new cloth;
- Do not use volatile chemical liquids such as gasoline, alcohol or insecticides to clean the luminaire, otherwise damage occurs.

Cautions:

- Make sure safe and complete installation before power on;
- Do not mount the luminaire onto ordinary combustible materials directly in any circumstances;



- Do not cover the luminaire with any objects;
- Do not use the product in a closed environment;
- The maintenance of the luminaire must be done by professionals;
- **The external wiring of the luminaire is Z-shaped. If damaged, the luminaire should be scrapped.**
- The light source, if damaged, shall be replaced with chips provided by the manufacturer or service team.

Warning, danger of electric shock



- Statement: The luminaire complies with the non-hazardous requirements in the photobiological safety standard IEC 62471:2006;
- Product specifications are subject to change without notice.