



NAPRO



Standard Color: Dark Gray (PANTONE:8403C)

Features:

- Rated Power Range: 20W-250W;
- Rated Input Voltage: AC100-277V;
- Housing Material: Die-casting aluminum alloy+ PC;
- Cover opening: up cover + tool free
- Angle adjustment: no available
- Protection Degree: IP66, IK08;
- NEMA interface and ZHAGA interface are optional;
- Control mode: Power line communication (NEMA), NB-IoT(NEMA), ZigBee (NEMA), LoRa (NEMA), power timer dimming, NEMA light switch;
- Pole Diameter: $\Phi 60\text{mm}$;
- Operating environment: Operating Temperature - $40^{\circ}\text{C} \sim 50^{\circ}\text{C}$, Operating Humidity $10\% \sim 90\% \text{RH}$, Storage Temperature $-40^{\circ}\text{C} \sim 50^{\circ}\text{C}$.

Street Light Specification



Product Model	UNI-STD2-2			UNI-STD2-3	
Power (W)	20	40	60	80	100
Luminous Flux/3030 (lm)	2600	5200	7800	10400	13000
Luminous Flux /5050 (lm)	3400	6800	10200	13600	17000
Power Factor	≥0.92	≥0.92	≥0.92	≥0.92	≥0.92
Input Voltage	AC100-277V 50/60Hz				
LED	China domestic brand				
Driver	Moso/Sosen/Inventronics/Philips				
CCT (K)	3000K/4000K/5000K/5700K/6500K				
Luminaire Efficiency@4000K, Ta=25°C (lm/W)	3030/130lm/w, 5050/170lm/w				
CRI	70				
Working Temp.	- 40 °C ~ 50°C				
Working Humidity	10 % ~ 90 % RH				
Storage Temp.	- 40 °C ~ 50 °C				
Housing Materials	Die-casting Aluminum Alloy				
Cover Opening	Up cover+ tool free				
IP Grade	IP66				
IK Grade	IK08				
Life Span (Hrs)	50,000				
Max Projected Area (m²)	0.08	0.08	0.08	0.08	0.08
Product Dimension (mm)	424.3x187.6x90	424.3x187.6x90	424.3x187.6x90	537.8x230.3x93	537.8x230.3x93
Packing Dimension (mm)	485×240×185	485×240×185	485×240×185	605×290×185	605×290×185
Net Weight (kg)	3.0±0.2	3.0±0.2	3.0±0.2	4.0±0.2	4.0±0.2
Gross Weight (kg)	4.0±0.2	4.0±0.2	4.0±0.2	5.0±0.2	5.0±0.2

Note: The tolerance of Luminous Flux for lighting products is ±7%

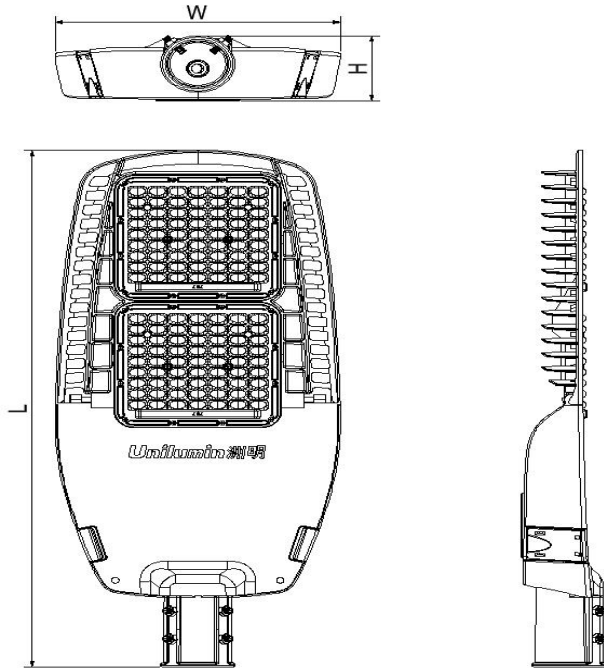
Street Light Specification



Product Model	UNI-STD2-1		UNI-STD2-4			
Power (W)	120	150	180	200	220	250
Luminous Flux/3030 (lm)	15600	19500	23400	26000	28600	32500
Luminous Flux /5050 (lm)	20400	25500	30600	34000	37400	42500
Power Factor	≥0.95	≥0.95	≥0.95	≥0.95	≥0.95	≥0.95
Input Voltage	AC100-277V 50/60Hz					
LED	China domestic brand					
Driver	Moso/Sosen/Inventronics/Philips					
CCT (K)	3000K/4000K/5000K/5700K/6500K					
Luminaire Efficiency@4000K, Ta=25°C (lm/W)	3030/130lm/w, 5050/170lm/w					
CRI	70					
Working Temp.	- 40 °C ~ 50°C					
Working Humidity	10 % ~ 90 % RH					
Storage Temp.	- 40 °C ~ 50 °C					
Housing Materials	Die-casting Aluminum Alloy					
Cover Opening	Up cover+ tool free					
IP Grade	IP66					
IK Grade	IK08					
Life Span (Hrs)	50,000					
Max Projected Area (m ²)	0.145	0.145	0.18	0.18	0.18	0.18
Product Dimension (mm)	698.8x279.5x109	698.8x279.5x109	742x311.2x93	742x311.2x93	742x311.2x93	742x311.2x93
Packing Dimension (mm)	770×340×185	770×340×185	820×380×185	820×380×185	820×380×185	820×380×185
Net Weight (kg)	5±0.2	5±0.2	7±0.2	7±0.2	7±0.2	7±0.2
Gross Weight (kg)	6±0.2	6±0.2	8±0.2	8±0.2	8±0.2	8±0.2

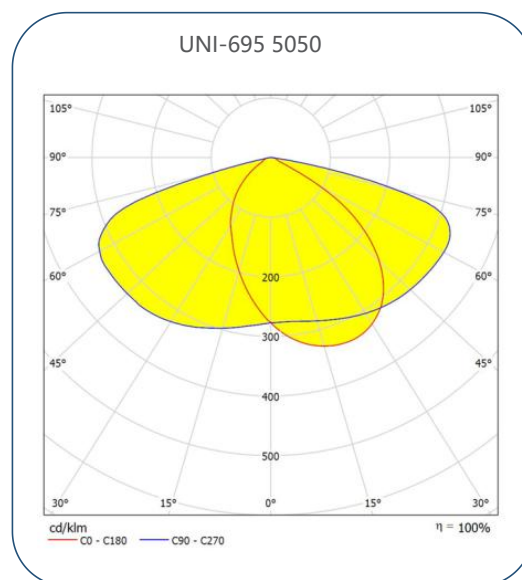
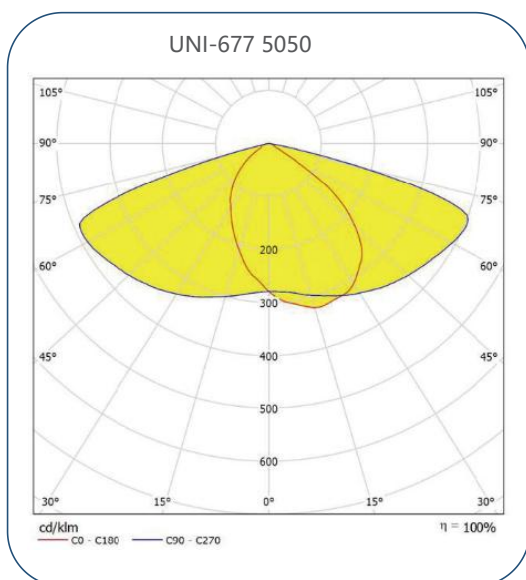
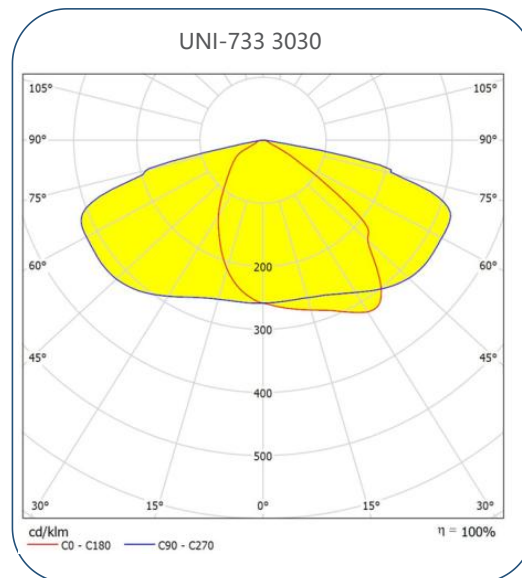
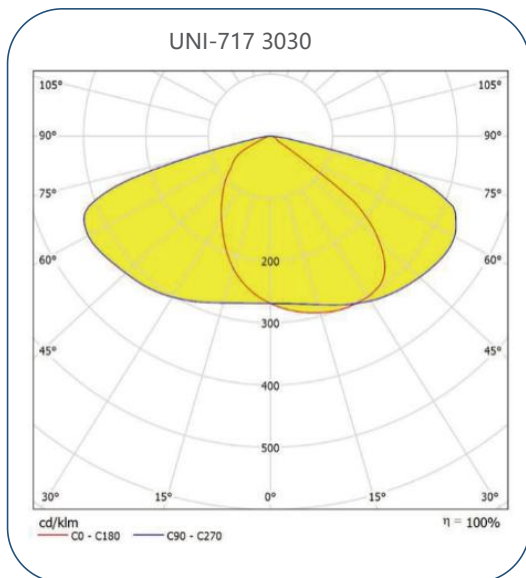
Note: The tolerance of Luminous Flux for lighting products is ±7%

Product Dimension:



型号	功率 (W)	尺寸 (mm)		
		L	W	H
UNI-STD2-2	20	424.3	187.6	90.5
	40	424.3	187.6	90.5
	60	424.3	187.6	90.5
UNI-STD2-3	80	537.8	230.3	93.5
UNI-STD2-3	100	537.8	230.3	93.5
UNI-STD2-1	120	698.8	279.5	109.3
	150	698.8	279.5	109.3
UNI-STD2-4	180	742	311.2	93.3
	200	742	311.2	93.3
	220	742	311.2	93.3
	250	742	311.2	93.3

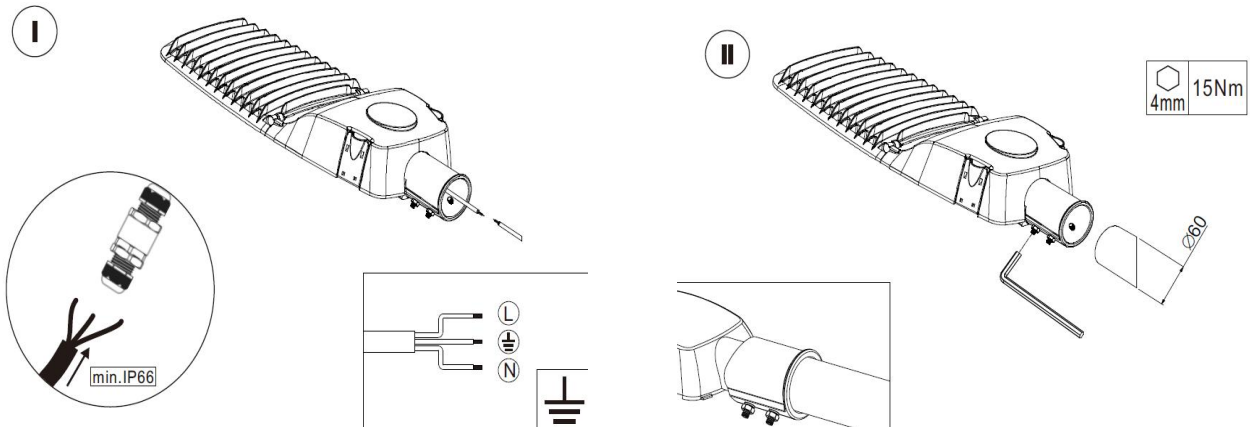
Light Distributions:



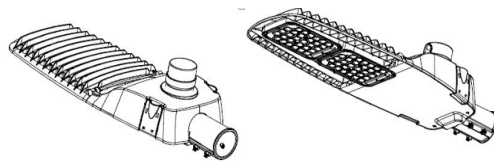
Note: The pictures are only the references of typical light distribution type, and the specific parameters shall be subject to the actual IES of the product.

Installation Diagram:

1. Wire the power cables of the luminaire and the pole according to the picture below: L(BRN/BLK) live line, N (BLU/WHT) neutral line, \oplus (YG/GRN) ground line) , making the connection waterproof.
2. Insert the cantilevered arm of lamp pole into the lamp, and then tighten four M8 screws.



3. If the lighting fixture is equipped with a NEMA socket photocell or short circuit cap, please operate and use it according to the following instructions..



NEMA socket and matching photocell, short circuit cap instructions.

1. The NEMA socket used for streetlight products must meet the locking size requirements of ANSI C136.10 standard and be certified by UL;
2. The NEMA socket used for streetlights and the accompanying light control photocell and short-circuit cap must meet IP66 testing requirements;
3. The users must use the NEMA socket model recommended by our company and the matching light control photocell, short-circuit cap;
4. Without the company's permission, the NEMA socket, light control photocell, and short-circuit cap cannot be replaced at will; The quality risks caused by the change shall be borne by the customer, and the product no longer complies with the warranty terms
5. The lighting control photocell needs to pass 10KV surge protection test(with 10KV SPD for test)
6. Non rotatable NEMA socket is priority to use for internal matching, and rotatable NEMA socket can be selected under customer specified conditions
7. If the product must meet other testing requirements due to product characteristics or other special reasons (such as bidding documents, customer customization requirements, etc.), testing can be conducted according to the actual situation requirements.

Maintenance:

- Keep the luminaire in clean and good maintenance to ensure long lifespan and safety use.
- Wipe the luminaire with soft cloth dipped with soapy water (squeeze the water out first), and then make it clean and dry with a new cloth;
- Do not use volatile chemical liquids such as gasoline, alcohol or insecticides to clean the luminaire, otherwise damage occurs.

Cautions:

- Make sure safe and complete installation before power on;
- Do not mount the luminaire onto ordinary combustibile materials directly in any circumstances;



- Do not cover the luminaire with any objects;
- Do not use the product in a closed environment;
- The maintenance of the luminaire must be done by professionals;
- The external wiring of the luminaire is Y-shaped. If damaged, shall be replaced with wires provided by the original manufacturer or its service team;
- The light source, if damaged, shall be replaced with chips provided by the manufacturer or service team.

Warning, danger of electric shock



- Statement: The luminaire complies with the non-hazardous requirements in the photobiological safety standard IEC 62471:2006;
- Product specifications are subject to change without notice.

HQ Address: 112 Yongfu Rd., Qiaotou Village, Fuyong Town, Baoan District, Shenzhen 518103 China.
Manufacturing Base: Unilumin Industrial Park, 6th Lanjing North Road, Pingshan District, Shenzhen, China.

TEL: +86-0755-29918999

FAX: +86-0755-29912092

www.unilumin.com

www.unilumin-lighting.com