



GeniFlood



Features

- **Robust design**
 - IP65, IK07
 - 50000hours life time, 5 years warranty
 - Housing Material: Die-casting aluminum + Ultra transparent tempered glass
- **Easy to use**
 - Self-cleaning with streamlined design and flat glass cover
 - Angle adjustment: 0°~180°
 - Multiple lighting distribution options
 - 50-200W

Floodlight Specification



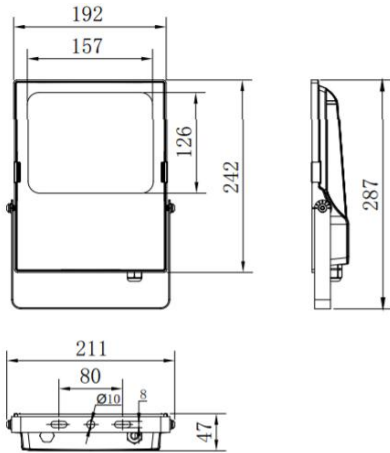
Product Parameters

Product Model	UNI-PR13 -1-050	UNI-PR13 -2-100	UNI-PR13 -3-150	UNI-PR13 -4-200
Input Voltage/ Frequency	AC100-240V 50/60Hz			
Power Factor	≥0.90			
Nominal Power (W)	50	100	150	200
Efficacy	150lm/W			
Beam angle	60°/90°/120°/30°×80°			
CCT	3000K±300K/4000K±300K/6500K±500K			
SDCM	<7			
CRI	70/80			
Working Temp.	- 40 °C ~ 45 °C			
Working Humidity	10 % ~ 90% RH			
Storage Temp.	-40 °C ~ 65 °C			
Warranty	5 years			
Life time	50000 hours			
Housing Materials	Die-casting Aluminum + glass cover + PC lens			
Finish	Matte black & Gray			
IP/IK Rating	IP65, IK07			
Adjustable angle	0~270°			
Max. Projection Area (m ²)	0.046	0.075	0.12	0.14
Luminaire Size (mm)	287×211×47	361×259×51	450×335×52	476×361×61
Mounting Hole Spacing	80mm	100mm	120mm	160mm
Cartoon box Size (mm)	325×280×285 (4 in 1)	440×330×330 (4 in 1)	530×200×395 (2 in 1)	555×210×425 (2 in 1)
Net Weight (kg) ±0.1	1.5	2.6	4.0	5.3
Gross Weight (kg) ±0.1	6.9	11.4	9.1	10.9

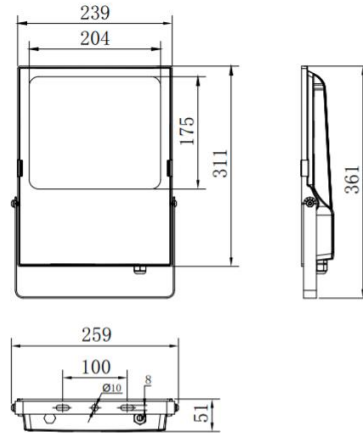
Note: The tolerance of Luminous Flux is ±7%

Product Dimension

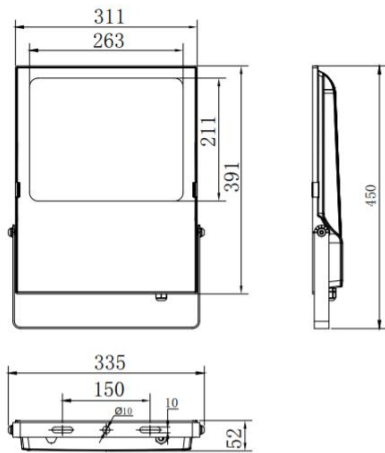
UNI-PR13 -1-50



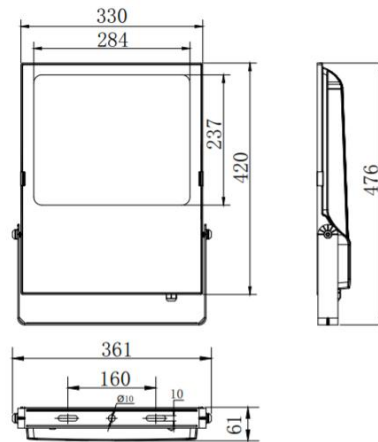
UNI-PR13 -2-100



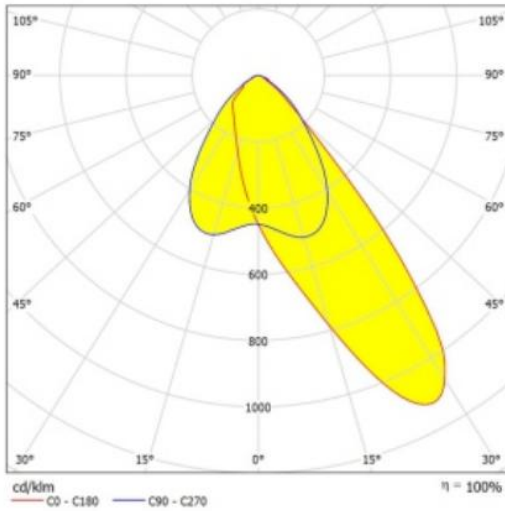
UNI-PR13 -3-150



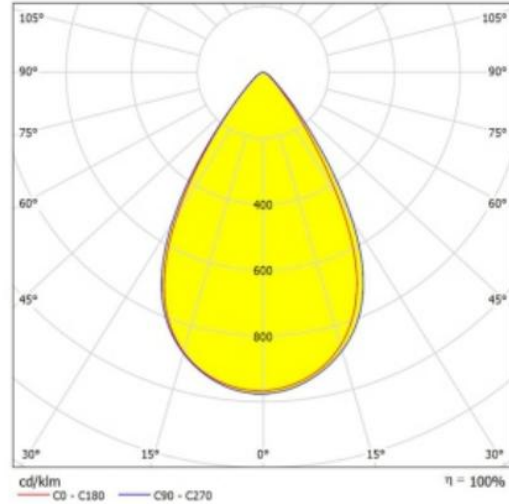
UNI-PR13 -4-200



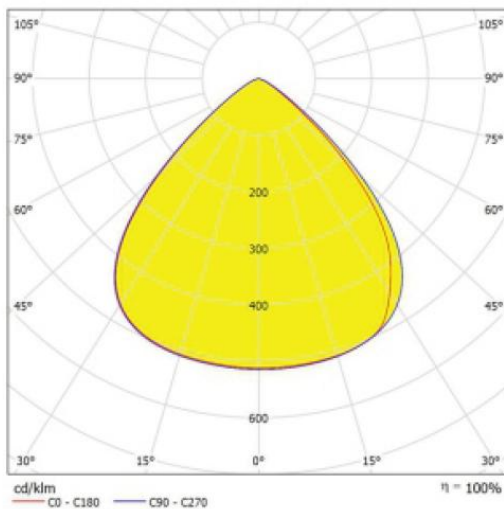
Light Distributions



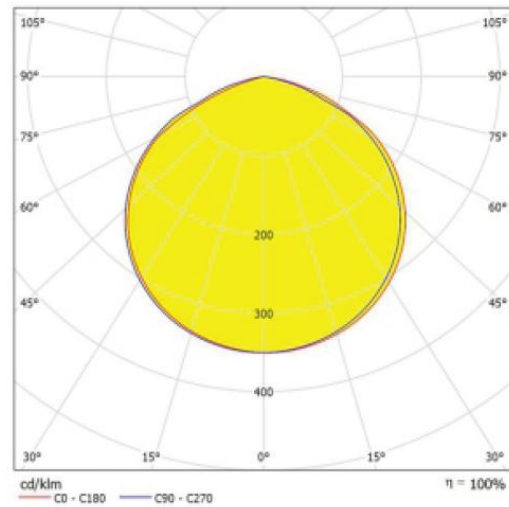
30° x 80° (UNI-863)



60° (UNI-861)



90° (UNI-862)

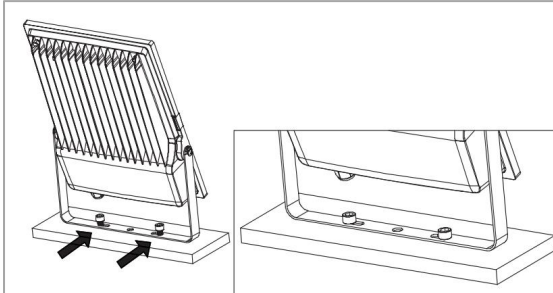


120°

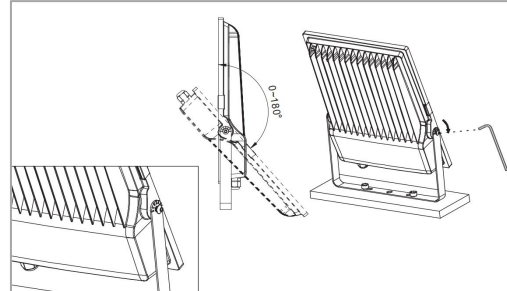
Note: The diagrams are only the references of typical light distribution type, and the specific parameters shall be subject to the actual IES of the product.

Installation Diagram

1. Install the flood luminaire with bolts as below, it shall be firmly mounted.

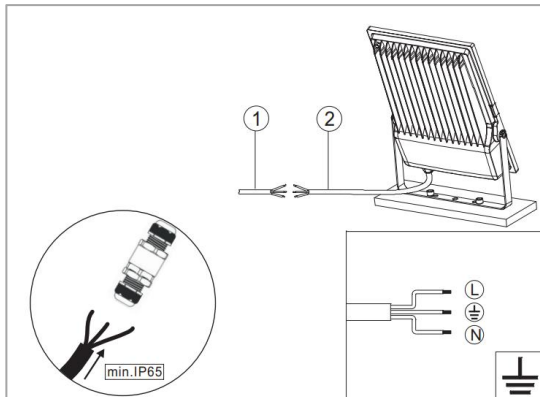


2. Adjust the luminaire's angle to meet the desired lighting requirements with Allen key.



3. Wire the luminaire and make the connection waterproof and insulated, the luminaire shall be grounded properly.

L(BRN/BLK) live line, N (BLU/WHT) neutral line, (YG/GRN) ground line).



Maintenance

- The luminaire shall be installed by professionals.
- Switch off power supply before operations.
- Do not mount the luminaire onto ordinary combustible materials directly in any circumstances.
- The maintenance of the luminaire must be done by professionals.
- The luminaire shall be grounded properly and make the connection waterproof.
- The luminaire shall be replaced immediately if any damage occurs.

Cautions

- Make sure safe and complete installation before power on;
- Do not mount the luminaire onto ordinary combustible materials directly in any circumstances;



- Do not cover the luminaire with any objects;
- Do not use the product in a closed environment;
- The maintenance of the luminaire must be done by professionals;
- The external wiring of the luminaire is X-shaped. If damaged, shall be replaced with wires provided by the original manufacturer or its service team;
- The light source, if damaged, shall be replaced with chips provided by the manufacturer or service team.

Warning, danger of electric shock



- Statement: The luminaire complies with the non-hazardous requirements in the photobiological safety standard IEC 62471:2006;
- Product specifications are subject to change without notice.